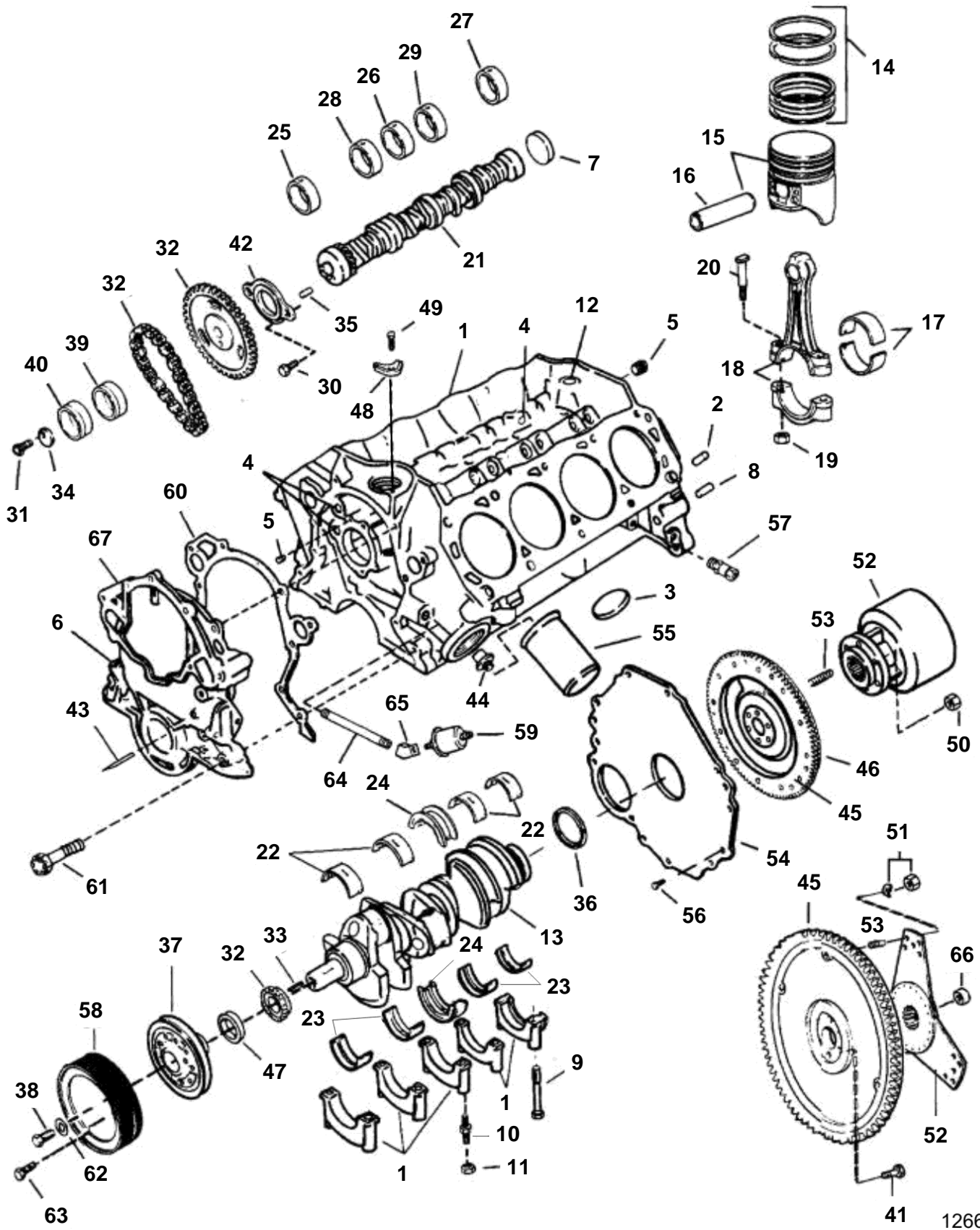


5.8FLIHUB, 5.8FLPHUB, 5.8FLPHUS



12663

5.8FLIHUB, 5.8FLPHUB, 5.8FLPHUS

REF	PART NO.	QTY	DESCRIPTION	SEE SEC.	NOTES
1	3855165	1	Longblock · Bulletin P-21-0-7	P-21-0-7-EN	Longblock guidelines, 5.0L, 5.8L, Ford
2	3853007	4	Guide sleeve, Cylinder head to block		
3		6	Cap plug, Core hole		
4	3853008	2	Cap plug, Oil passage		
5		6	Plug, Oil gallery		
6	3853008	2	Cap plug, Indicator hole		
7		1	Cap plug, Rear, cam, standard		
	3853009	1	Cap plug, Rear cam, 0.060 in. OS		
8		1	Locating pin, Adapter hsg to block		
9		9	Bolt, Main bearing cap		
10		1	Stud, Main bearing cap		
11	3853026	1	Nut, Main bearing cap		
12		1	Cap plug, Rear hole in block		
13	3852793	1	Crankshaft, 235 model		
14	3853268	4	Piston ring kit, Standard		Contains Rings for 2 Pistons
	3853269	1	Piston ring kit, 0.020 in. OS		Contains Rings for 2 Pistons
		1	Piston ring kit, 0.030 in. OS		Contains Rings for 2 Pistons
		1	Piston ring kit, 0.040 in. OS		Contains Rings for 2 Pistons
15	3853898	1	Piston, Standard, red		
	3853949	1	Piston, 0.020 in. OS		
		1	Piston, 0.030 in. OS		
		1	Piston, 0.040 in. OS		
16	3852773	8	Piston pin, Piston, standard		
17		16	Bearing, Connecting rod, standard		
	3853081	1	Bearing, Connecting rod, 0.010 in. US		
		1	Bearing, Connecting rod, 0.020 in. US		
		1	Bearing, Connecting rod, 0.030 in. US		
18	3853902	8	Connecting rod		
19	3852675	16	Nut, Connecting rod		
20		16	Bolt, Connecting rod		
21		1	Camshaft		
22		8	Bearing, Main, standard, upper · Bulletin P-21-6-1	P-21-6-1-EN	Main Bearing Kits, 5.0 and 5.8L Ford
22		1	Bearing, Main, 0.010 in. US, upper		
		1	Bearing, Main, 0.020 in. US, upper		
		1	Bearing, Main, 0.030 in. US, upper		
23		8	Bearing, Main, standard, lower · Bulletin P-21-6-1	P-21-6-1-EN	Main Bearing Kits, 5.0 and 5.8L Ford
23		1	Bearing, Main, 0.020 in. US, lower		
		1	Bearing, Main, 0.030 in. US, lower		
		1	Bearing, Main, 0.10 US, lower		
24		2	Bearing, Main, center, standard · Bulletin P-21-6-1	P-21-6-1-EN	Main Bearing Kits, 5.0 and 5.8L Ford
24		1	Bearing, Main, center, 0.010 in. US		
		1	Bearing, Main, center, 0.020 in. US		
		1	Bearing, Main, center, 0.030 in. US		
25		1	Bearing, Camshaft, front		
		1	Bearing, Front, 0.015 in. US		
26	3852781	1	Bearing, Camshaft, center		
		1	Bearing, Center, 0.015 in. US		
27	3852782	1	Bearing, Camshaft, rear		
	3853020	1	Bearing, Rear, 0.015 in. US		
28	3852783	1	Bearing, Camshaft		
		1	Bearing, Front intermediate, 0.015 in. US		
29		1	Bearing, 0.015 in. US		
	3852784	1	Bearing, Camshaft, rear intermediate		
30	3852788	2	Bolt, Camshaft, thrust plate		
31		1	Bolt, Camshaft sprocket		
32	3856741	1	Chain, set		double roller
	3852794	1	· Sprocket, crankshaft		not sold separately
	3852785	1	· Sprocket, camshaft		not sold separately
	3853903	1	· Chain		not sold separately

5.8FLIHUB, 5.8FLPHUB, 5.8FLPHUS

REF	PART NO.	QTY	DESCRIPTION	SEE SEC.	NOTES
33		1	Woodruff key, Sprocket to crankshaft		
34	3852790	1	Washer, Camshaft sprocket		
35	3852786	1	Locating pin, Camshaft sprocket		
36	3852806	1	Sealing, Crankshaft, rear		
37	3853904	1	Oscillation damper		3 holes
38	3853021	1	Bolt, Crankshaft damper		
39		1	Eccentric, Fuel pump, outer		
40	3852789	1	Guide, Fuel pump, inner		
41	3855532	6	Screw		
42	3852787	1	Plate, Camshaft thrust, standard		
		1	Plate, 0.002 in. OS, camshaft thrust		
		1	Plate, 0.004 in. OS, camshaft thrust		
43	3852768	1	Turn signal, timing		
44	3853035	1	Insert, Oil filter		
45		1	Flywheel		
46		1	Gear ring, Flywheel		
47	3853827	1	Sealing, Front cover		
48	3853078	1	Clamp, Distributor		
49	3853077	1	Screw, Clamp		
50	3853273	6	Nut, Flywheel & coupler to crankshaft		SX, DP-S
51	3854497	6	Lock nut, Dampener to flywheel		290 DP
	3854496	6	Washer, Dampener to flywheel		290 DP
52	3853862	1	Clutch, Flywheel		SX, DP-S
		1	Oscillation damper, Flywheel		290 DP
53	3853274	6	Stud, Flywheel & coupler to crankshaft		SX, DP-S
		6	Stud, Dampener to flywheel		290 DP
54	3853003	1	Cardboard tube		
55	835779	1	Oil		
56	3852421	5	Screw, Flywheel cover to hsg		
57	3854494	2	Drain cock, Engine water drain		
58	3854188	1	Pulley		3 holes
59	3853800	1	Oil pressure sensor, Oil pressure		
	872064	1	Pressure sensor, Oil pressure, dual station		
60	3852767	1	Gasket, Front cover		
61		1	Bolt, Front cover		
		1	Bolt, Front cover		
		1	Bolt, Front cover		
	3853014	1	Bolt, Front cover		
62	3853075	1	Washer, Crankshaft damper		
63	3853557	3	Screw, Pulley to crankshaft		
64	3852712	1	Nipple, Oil pressure sending unit		
65	3852711	1	Fitting, Oil pressure sending unit		
66	3850412	1	Bushing, Pilot, Crankshaft		DP
67	3853893	1	Timing gear casing		