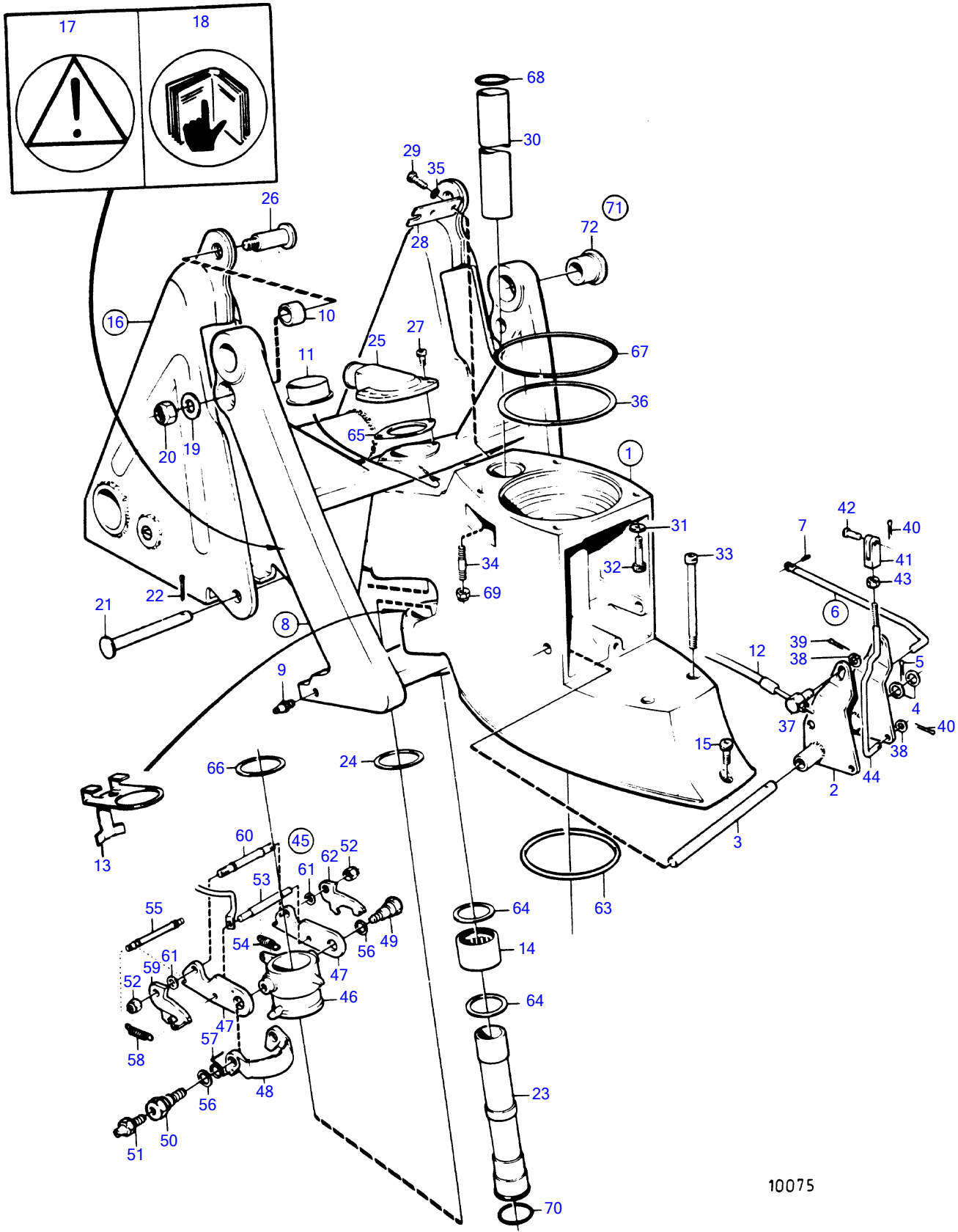


SP-A1, SP-A2



10075

## SP-A1, SP-A2

REF	PART NO.	QTY	DESCRIPTION	NOTES
1	854937	1	Intermediate housing	
2	897829	1	• Gear yoke	
3	897447	1	• Shaft	
4	897511	2	• Washer	
5	17253	1	• Split pin	
6	851412	1	• Reverse locking rod	
7	967556	1	• • Spring pin	
8	854100	1	Suspension fork	
9	940194	1	• Lubricating nipple	
10	852912	2	• Bushing	
11	853062	1	• Bearing bushing	
12		X	control cable	See group 9
13	853967	1	Guide washer	
14	183391	1	Needle roller bearin	
15	941809	1	Hex. socket screw	
16	854550	1	Cylinder anchorage	
17	853717	1	• Decal	
18	(853716)	1	• Decal	Obsolete part
19	853071	2	Washer	
20	946672	2	Lock nut	
21	853309	2	Clevis pin	
22	967707	2	Split pin	
23	814386	1	Steering knuckle	
24	897696	2	Washer	
25	854031	1	Hose connection	
26	853308	2	Shoulder screw	
27	941813	2	Hex. socket screw	
28	853078	1	Cable attachment	
29	940168	2	Hexagon screw	
30	897644	1	Tube	
31	853095	2	Washer	
32	959456	2	Hex. socket screw	
33	941808	2	Hex. socket screw	
34		2	stud bolt	Included in upper gear unit.
35	940191	2	Washer	
36	941826	X	Shim	TH=0,05mm
	941827	X	Shim	TH=0.20mm
	948230	X	Shim	TH=0.35mm
	943868	X	Shim	TH=0.40mm
37	804312	1	Cube	
38	940191	2	Washer	
39	17276	1	Split pin	
40	17253	2	Split pin	
41	813954	1	Fork	
42	192662	1	Split pin	
43	940190	1	Hexagon nut	
44	897448	1	Control rod	
45	854035	1	Latch	
46	851402	1	• Bearing sleeve	
47	814391	2	• Latch	
48	851403	1	• Lock brace	
49	851423	1	• Spindle	
50	854344	1	• Spindle	
51	940194	1	• Lubricating nipple	Obsolete part
52	943197	2	• Lock nut	Included in repair kit 876265 for astern lever.
53	851424	1	• Stop arm	Included in repair kit 876265 for astern lever.
54	832534	1	• Spring	Included in repair kit 876265 for astern lever.
55	814399	1	• Shaft	Included in repair kit 876265 for astern lever.
56	943194	2	• Washer	Included in repair kit 876265 for astern lever.
57	814396	1	• Spring	Included in repair kit 876265 for astern lever.
58	814332	2	• Spring	Included in repair kit 876265 for astern lever.
59	814392	1	• Spring hook	Included in repair kit 876265 for astern lever.
60	814419	1	• Shaft	Included in repair kit 876265 for astern lever.

7736260-44-12610B

10075

Upd:2014-10-28

SP-A1, SP-A2

REF	PART NO.	QTY	DESCRIPTION	NOTES
61	814422	2	• Spacer washer	Included in repair kit 876265 for astern lever.
62	814393	1	• Spring hook	Included in repair kit 876265 for astern lever.
63	925256	1	O-ring	Included in complete drive unit, Included in repair kit 876265 for astern lever.
64	181620	2	Sealing ring	Included in repair kit 876265 for astern lever.
65	814356	1	Sealing	Included in repair kit 876265 for astern lever.
66	814390	1	Plastic washer	Included in repair kit 876265 for astern lever.
67	925259	1	O-ring	Included in repair kit 876265 for astern lever.
68	125017	2	O-ring	Included in repair kit 876265 for astern lever.
69	941885	2	Lock nut	Included in repair kit 876265 for astern lever.
70	941820	1	O-ring	Included in repair kit 876265 for astern lever.
71	876279	1	Bushing kit	
72	853223	2	• Bushing, bushing	Included in repair kit 876265 for astern lever., Repl by 876279
	876265	1	• • Repair kit, rev tilt inh.	(876075)