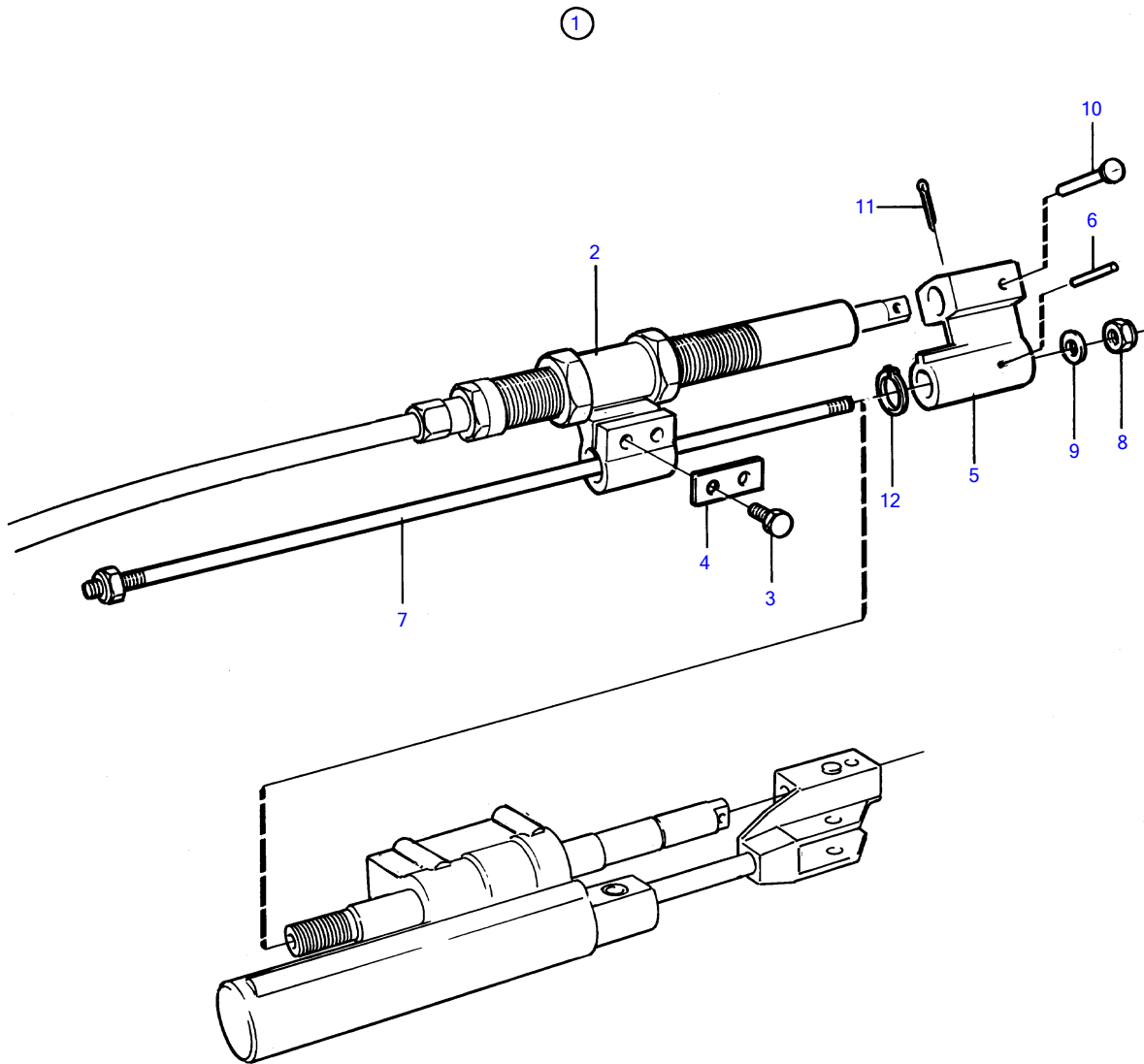


DP-C, DP-D



11472

DP-C, DP-D

REF	PART NO.	QTY	DESCRIPTION	NOTES
1	(872375)	1	Connector kit	Obsolete part
2		1	• bracket	
3	955297	2	• Hexagon screw	
4	872445	1	• Lock washer	
5		1	• attachment	
6	951979	1	• Spring pin	
7		1	• rod	
8	966175	1	• Lock nut	
9	955900	1	• Washer	
10	(851382)	1	• Clevis pin	Obsolete part
11	964960	1	• Split pin	
12	914456	1	• Snap ring	