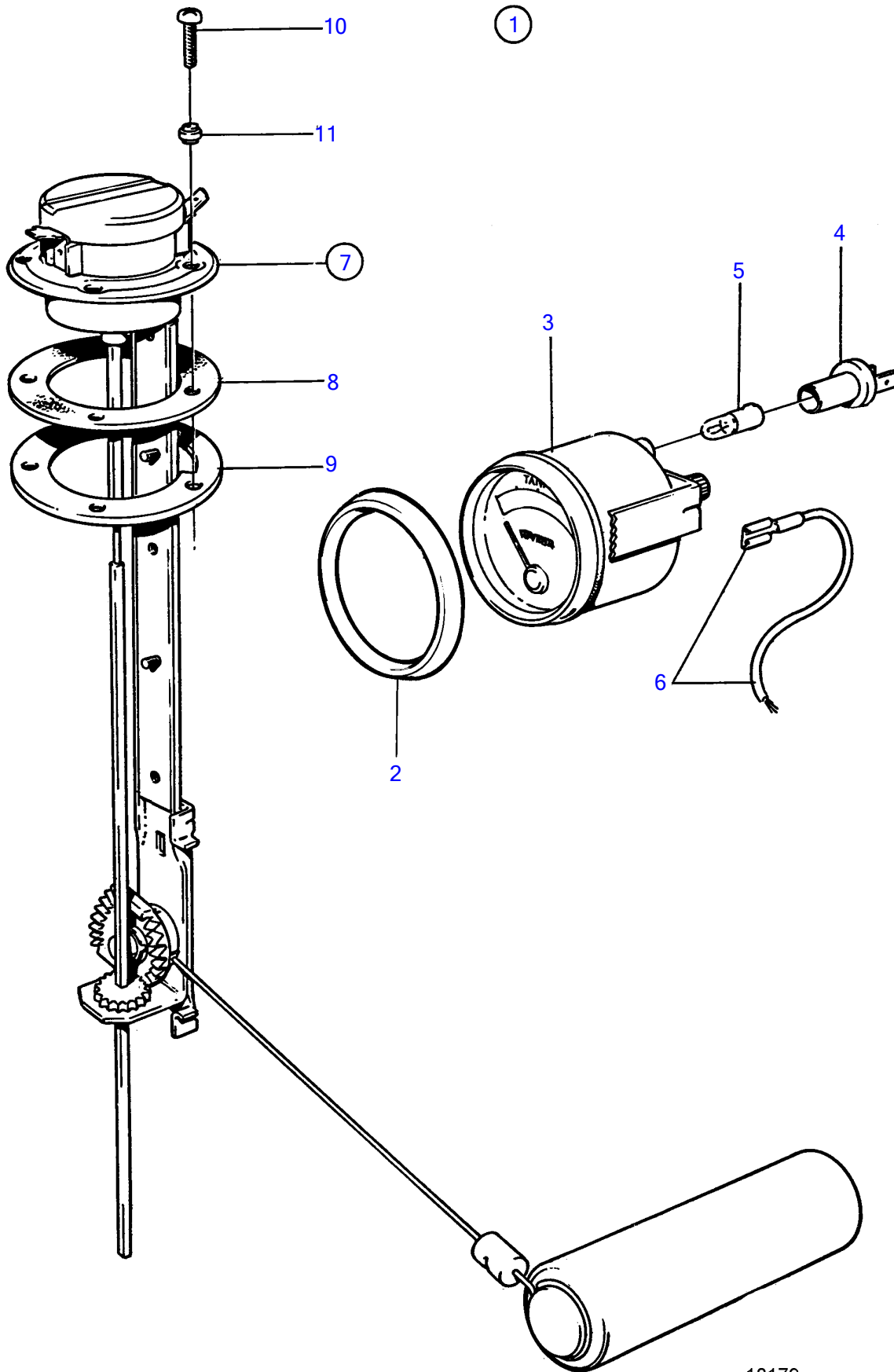


430A, 430B, 431A, 431B, 432A, 434A, 500B, 501B, 570A, 572A, 740B, DP-A, DP-A1, DP-A2, DP-C, DP-C1, DP-C1 1.95, DP-C1 2.30, DP-D, DP-D1, DP-D1 1.68, DP-D1 1.78, DP-D1 1.95, DP-D1 2.30, SP-A, SP-A1, SP-A2, SP-C, SP-C1



430A, 430B, 431A, 431B, 432A, 434A, 500B, 501B, 570A, 572A, 740B, DP-A, DP-A1, DP-A2, DP-C, DP-C1, DP-C1 1.95, DP-C1 2.30, DP-D, DP-D1, DP-D1 1.68, DP-D1 1.78, DP-D1 1.95, DP-D1 2.30, SP-A, SP-A1, SP-A2, SP-C, SP-C1

REF	PART NO.	QTY	DESCRIPTION	NOTES
1	(1140462)	1	Water level gauge ki	Obsolete part
2	858643	1	• Front ring	
3	(863942)	1	• Water level gauge	Obsolete part, (828635)
4	863945	2	• • Lamp socket	For instruments of early type should white bulb 19923 and bulb holder 808175 be installed.
5	863946	2	• • Bulb	For instruments of early type should white bulb 19923 and bulb holder 808175 be installed., Red
6		X	• cables and terminals	See group 3
7	834389	1	• Tank sensor	
8	89865	1	• • Gasket	
9	834480	1	• • Flange	
10	956078	4	• • Cross recessed screw	L=16mm
	956081	1	• • Cross recessed screw	L=25mm
11	834481	5	• • Gasket	