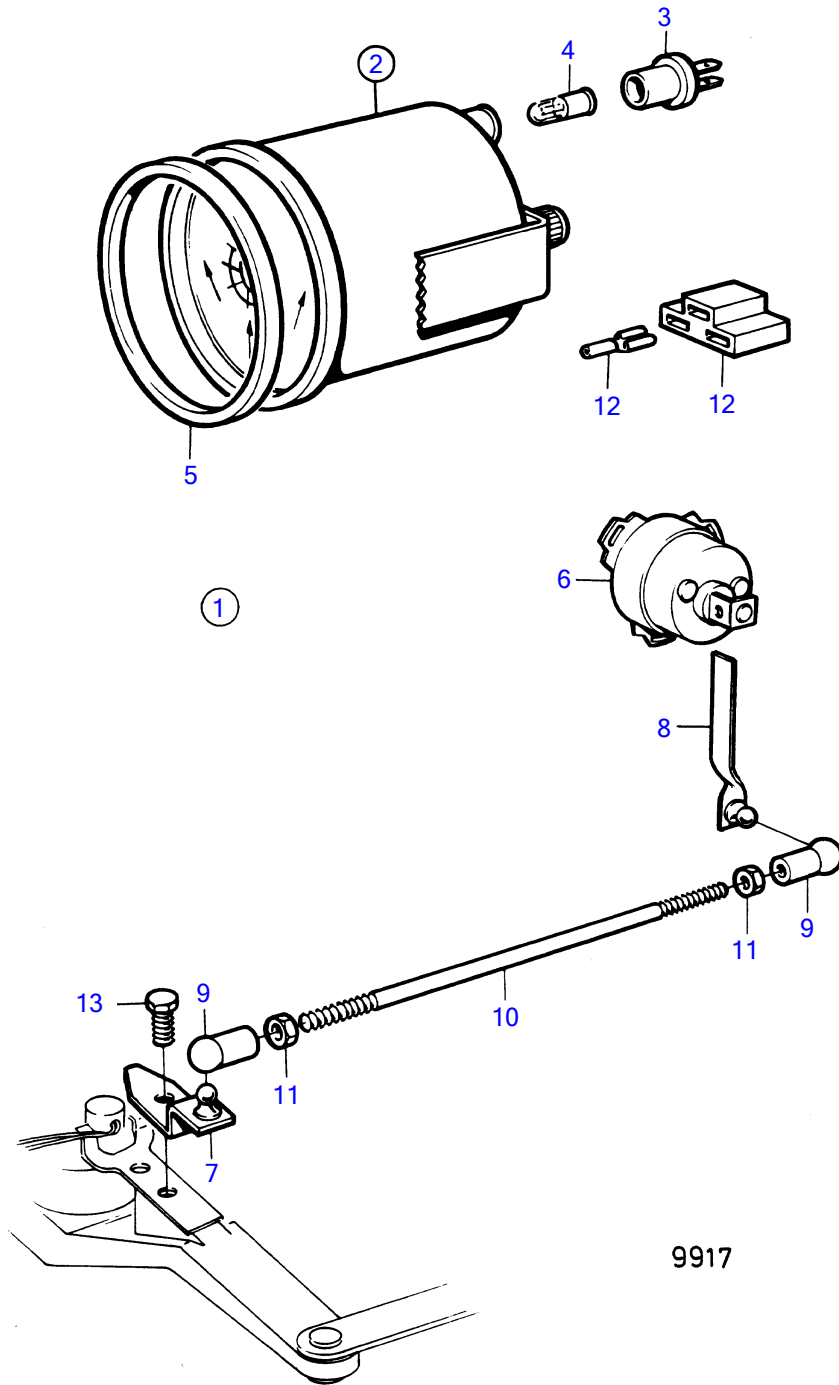


430A, 430B, 431A, 431B, 432A, 434A, 500B, 501B, 570A, 572A, 740B, DP-A, DP-A1, DP-A2, DP-C, DP-C1, DP-C1 1.95, DP-C1 2.30, DP-D, DP-D1, DP-D1 1.68, DP-D1 1.78, DP-D1 1.95, DP-D1 2.30, SP-A, SP-A1, SP-A2, SP-C, SP-C1



430A, 430B, 431A, 431B, 432A, 434A, 500B, 501B, 570A, 572A, 740B, DP-A, DP-A1, DP-A2, DP-C, DP-C1, DP-C1 1.95, DP-C1 2.30, DP-D, DP-D1, DP-D1 1.68, DP-D1 1.78, DP-D1 1.95, DP-D1 2.30, SP-A, SP-A1, SP-A2, SP-C, SP-C1

REF	PART NO.	QTY	DESCRIPTION	NOTES
1	1140463	1	Rudder indicator kit	
2	863944	1	• Rudder indicator	
3	863945	1	• • Lamp socket	For rudder indicator instruments with part no 828698 should white bulb 19923 and bulb holder 808175 be installed
4	863946	1	• • Bulb	For rudder indicator instruments with part no 828698 should white bulb 19923 and bulb holder 808175 be installed, Red
5	858643	1	• Front ring	
6	837772	1	• Position sensor	
7	853176	1	• Bracket	
8	853177	1	• Intermediate lever	
9	946704	1	• Ball socket	Left hand threads
	946703	1	• Ball socket	Right hand threads
10	943549	1	• Control rod	
11	942836	1	• Hexagon nut	Left hand threads
	955780	1	• Hexagon nut	Right hand threads
12		X	• cables and terminals	
13	940199	1	Hexagon screw	