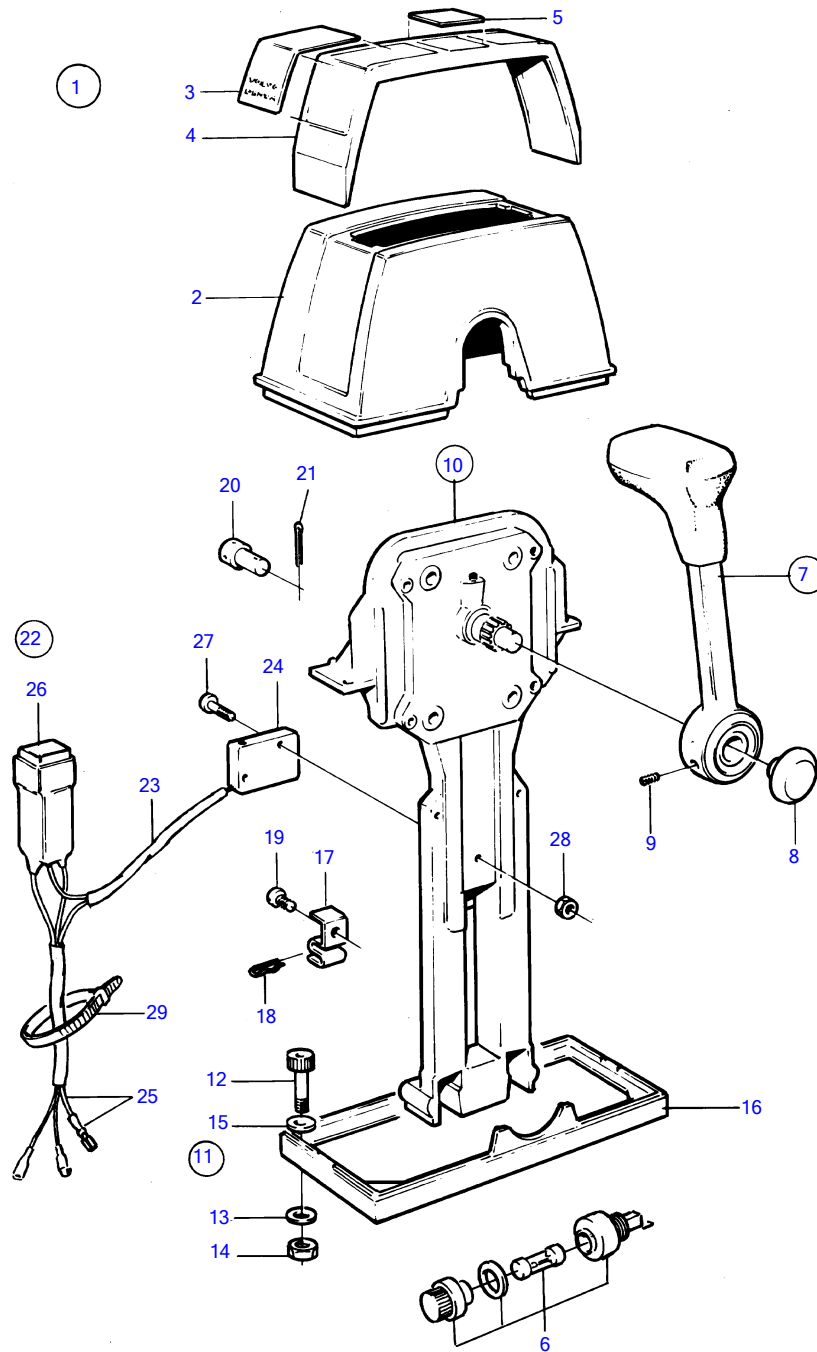


430A, 430B, 431A, 431B, 432A, 434A, 500B, 501B, 570A, 572A, 740B, DP-A, DP-A1, DP-A2, DP-C, DP-C1, DP-C1 1.95, DP-C1 2.30, DP-D, DP-D1, DP-D1 1.68, DP-D1 1.78, DP-D1 1.95, DP-D1 2.30, SP-A, SP-A1, SP-A2, SP-C, SP-C1



8885

430A, 430B, 431A, 431B, 432A, 434A, 500B, 501B, 570A, 572A, 740B, DP-A, DP-A1, DP-A2, DP-C, DP-C1, DP-C1 1.95, DP-C1 2.30, DP-D, DP-D1, DP-D1 1.68, DP-D1 1.78, DP-D1 1.95, DP-D1 2.30, SP-A, SP-A1, SP-A2, SP-C, SP-C1

REF	PART NO.	QTY	DESCRIPTION	SEE SEC.	NOTES
1	853168	1	Mounting kit		Single
2	851882	1	• Cover		
3	851896	2	• Decal		
4	(851892)	1	• Crossbar		Obsolete part
5	(851898)	1	• Decal		Obsolete part
7	852347	1	• Hand lever		
			• •	12673	
			• •	12675	
8	853004	1	• Push button		
9	963678	1	• Hex. socket screw		
10	851600	1	• Control		
			• •	12677	
11		1	• Screw kit		
12	947671	4	• • Hex. socket screw		
13	960138	4	• • Washer		
14	955780	4	• • Hexagon nut		
15	940090	4	• • Washer		
16	839474	1	• Plate		
17	853423	1	• Retainer		
18	852924	1	• Clip		
19	839664	1	Screw		
20	839638	1	Cube		
21	17253	1	Split pin		
22	855352	1	Neutral position con		(839641)
			Bulletin P-44-5-22	P-44-5-22-EN	Launch of new sailboat control
23	(839619)	1	• Cable kit		Obsolete part
24	850200	1	• • Toggle switch		
25		X	• • cables and terminals		
26	876037	1	• Relay kit		(1501832)
27	946177	2	• Cross recessed screw		
28	947536	2	• Hexagon nut		
29	948210	X	• Cable tie		