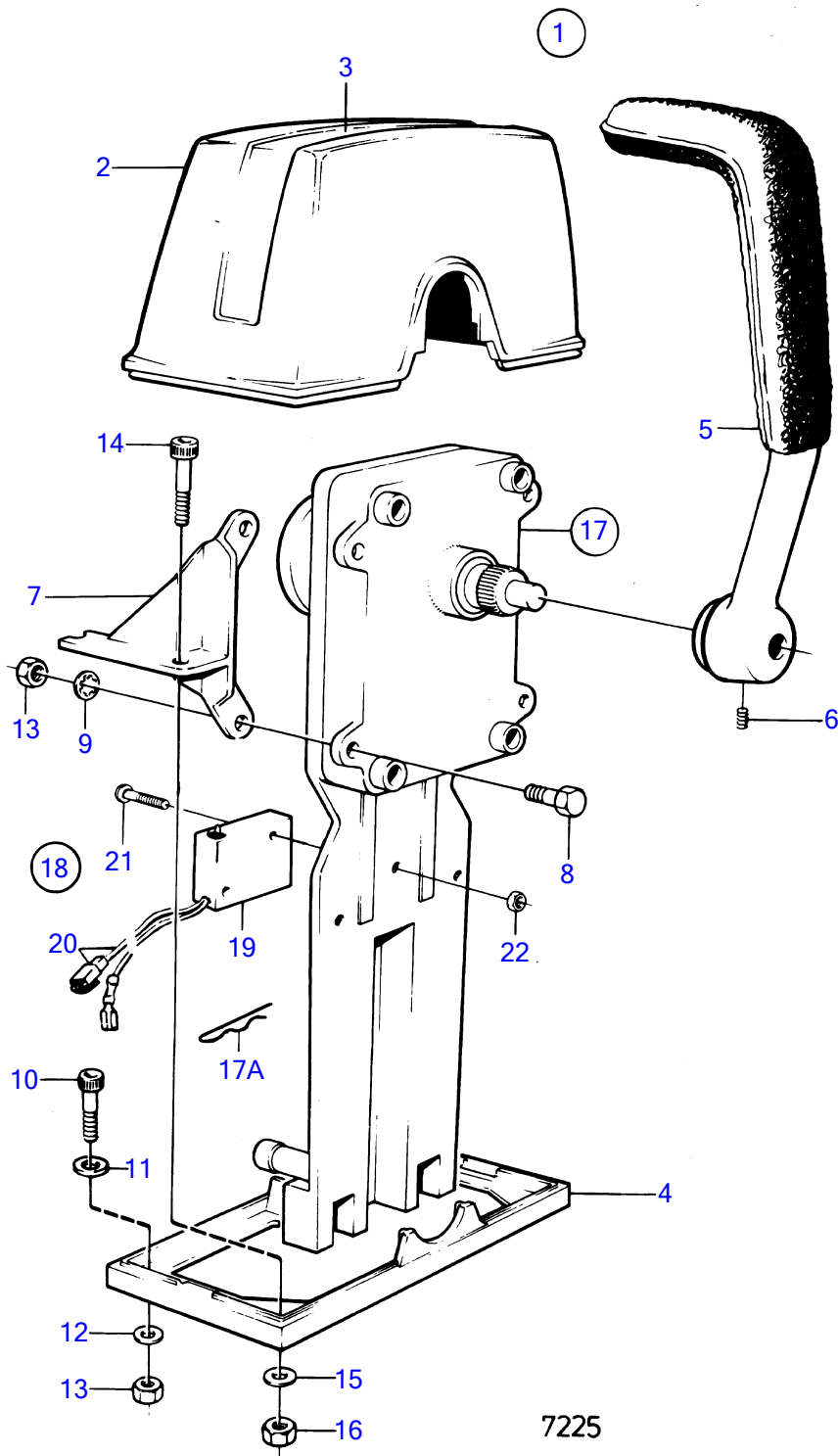


430A, 430B, 431A, 431B, 432A, 434A, 500B, 501B, 570A, 572A, 740B, DP-A, DP-A1, DP-A2, DP-C, DP-C1, DP-C1 1.95, DP-C1 2.30, DP-D, DP-D1, DP-D1 1.68, DP-D1 1.78, DP-D1 1.95, DP-D1 2.30, SP-A, SP-A1, SP-A2, SP-C, SP-C1



430A, 430B, 431A, 431B, 432A, 434A, 500B, 501B, 570A, 572A, 740B, DP-A, DP-A1, DP-A2, DP-C, DP-C1, DP-C1 1.95, DP-C1 2.30, DP-D, DP-D1, DP-D1 1.68, DP-D1 1.78, DP-D1 1.95, DP-D1 2.30, SP-A, SP-A1, SP-A2, SP-C, SP-C1

REF	PART NO.	QTY	DESCRIPTION	SEE SEC.	NOTES
1	839470	2	Mounting kit		Repl by 851602
2	839472	2	• Cover		
4	839474	2	• Plate		
5	839475	2	• Hand lever		
6	(946786)	2	• Set screw		M5, Obsolete part
	839693	2	• Lock screw		M8
7	(839480)	2	• Bracket		Marked 839480, Obsolete part
	(839481)	2	• Bracket		Marked 839481, Obsolete part
8	955244	8	• Hexagon screw		
9	(955946)	8	• Toothed washer		Obsolete part
10	947671	4	• Hex. socket screw		
12	960138	4	• Washer		
13	955780	12	• Hexagon nut		
14	947672	4	• Hex. socket screw		
15	960139	4	• Washer		
16	955781	4	• Hexagon nut		
17	839469	2	Control		Repl by 851600
18	855352	1	Neutral position con Bulletin P-44-5-22	P-44-5-22-EN	Main station., (841165) Launch of new sailboat control
18	855352	1	Neutral position con Bulletin P-44-5-22	P-44-5-22-EN	Second station. Launch of new sailboat control
19	850200	2	• Toggle switch		
20		X	• • cables and terminals		See group 3
21	946177	4	• Cross recessed screw		
22	947536	4	• Hexagon nut		