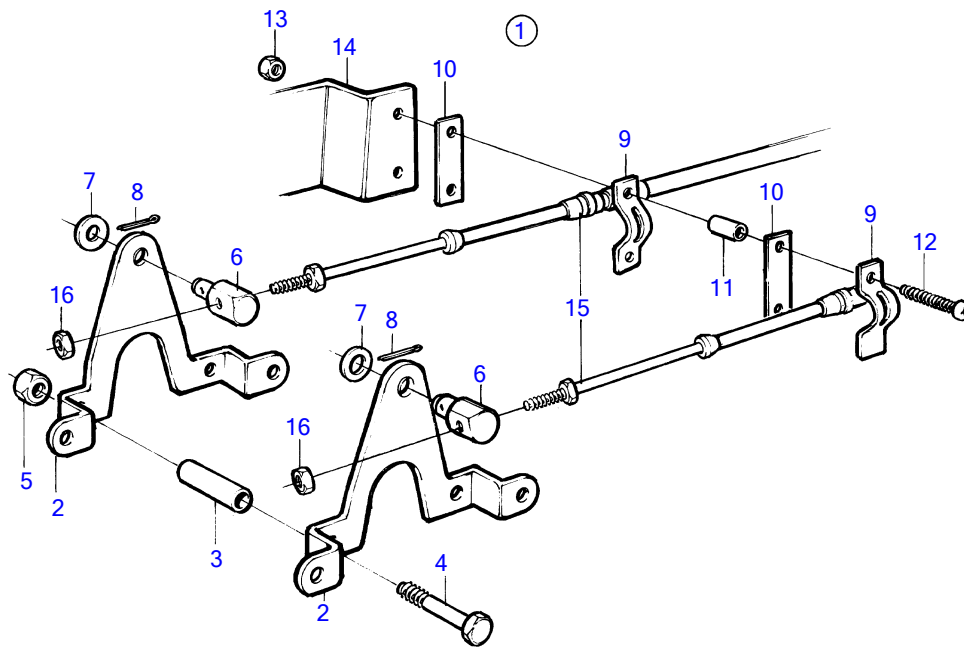


430A, 430B, 431A, 431B, 432A, 434A, 500B, 501B, 570A, 572A, 740B, DP-A, DP-A1, DP-A2, DP-C, DP-C1, DP-C1 1.95, DP-C1 2.30, DP-D, DP-D1, DP-D1 1.68, DP-D1 1.78, DP-D1 1.95, DP-D1 2.30, SP-A, SP-A1, SP-A2, SP-C, SP-C1



9531

430A, 430B, 431A, 431B, 432A, 434A, 500B, 501B, 570A, 572A, 740B, DP-A, DP-A1, DP-A2, DP-C, DP-C1, DP-C1 1.95, DP-C1 2.30, DP-D, DP-D1, DP-D1 1.68, DP-D1 1.78, DP-D1 1.95, DP-D1 2.30, SP-A, SP-A1, SP-A2, SP-C, SP-C1

REF	PART NO.	QTY	DESCRIPTION	SEE SEC.	NOTES
1	(854293)	1	Connector kit		Obsolete part
2	853922	2	• Intermediate lever		
3	853921	2	• Spacer sleeve		
4	955276	2	• Hexagon screw		
5	946035	2	• Lock nut		
6	804312	2	• Cube		
7	955892	2	• Washer		
8	17276	2	• Split pin		
9	21471054	2	• Bracket		
10	819068	2	• Washer		
11	830674	2	• Spacer sleeve		
12	955250	2	• Hexagon screw		
13	965483	2	• Flange nut		
14		1	bracket		See group 4B
15		X	control cable	12693	
16	951674	2	Lock nut		