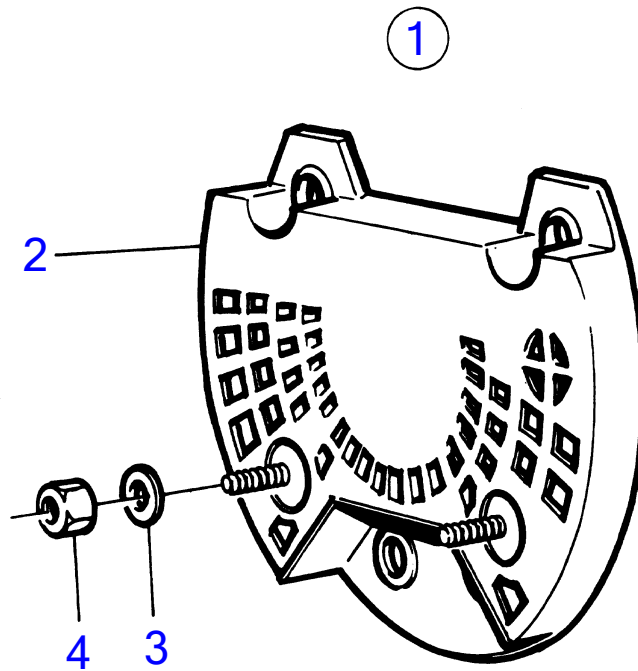


430A, 430B, 431A, 431B, 432A, 434A, 500B, 501B, 570A, 572A, 740B, DP-A, DP-A1, DP-A2, DP-C, DP-C1, DP-C1 1.95, DP-C1 2.30, DP-D, DP-D1, DP-D1 1.68, DP-D1 1.78, DP-D1 1.95, DP-D1 2.30, SP-A, SP-A1, SP-A2, SP-C, SP-C1



10164

430A, 430B, 431A, 431B, 432A, 434A, 500B, 501B, 570A, 572A, 740B, DP-A, DP-A1, DP-A2, DP-C, DP-C1, DP-C1 1.95, DP-C1 2.30, DP-D, DP-D1, DP-D1 1.68, DP-D1 1.78, DP-D1 1.95, DP-D1 2.30, SP-A, SP-A1, SP-A2, SP-C, SP-C1

REF	PART NO.	QTY	DESCRIPTION	NOTES
1	858968	1	Junction block	For charging of 2 batteries., For alternators 12V, 50A and 24V, 55A.
2		1	• charging relay	
3	941906	2	• Spring washer	
4	955781	2	• Hexagon nut	