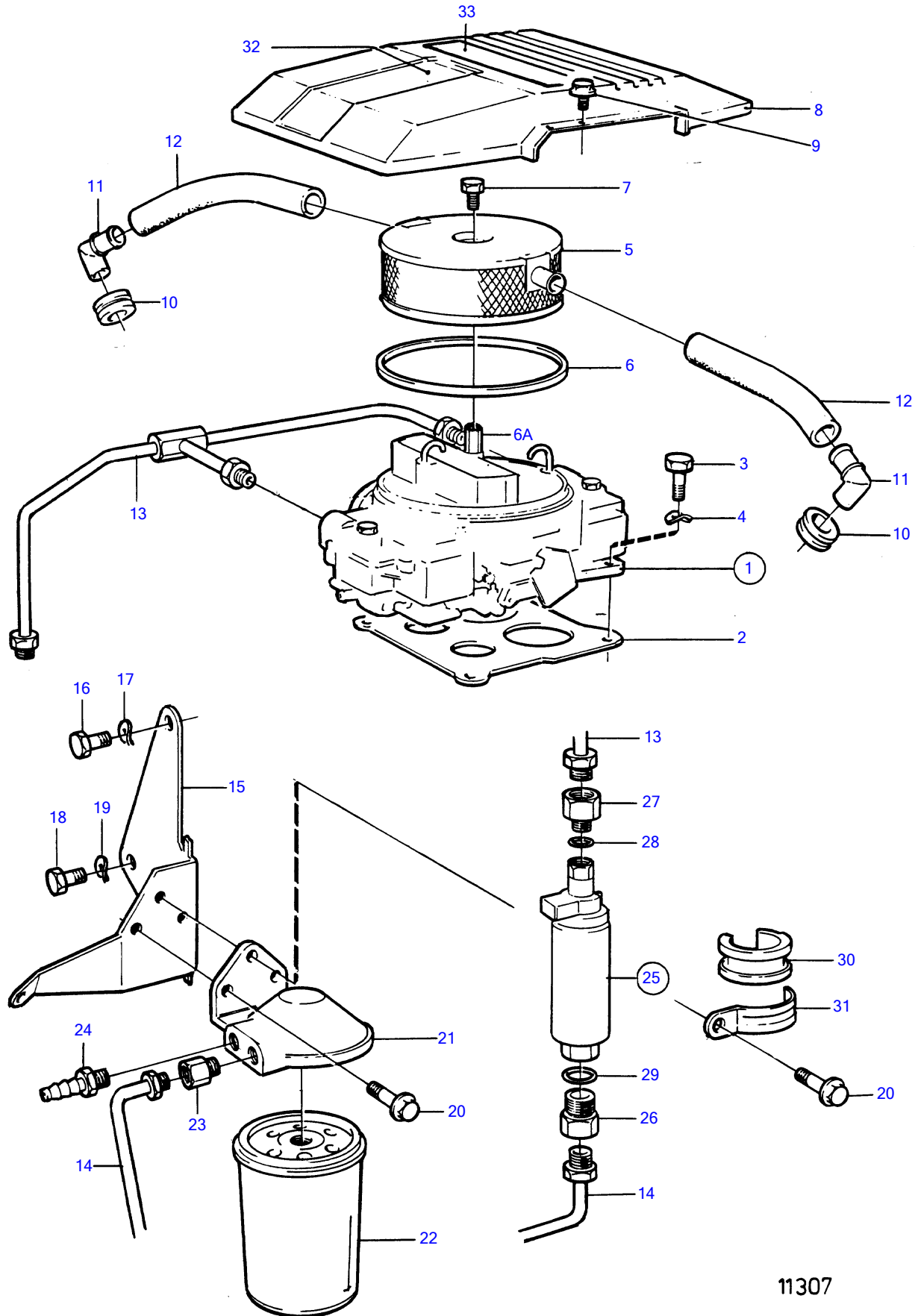


740B



11307

740B

| REF | PART NO. | QTY | DESCRIPTION | SEE SEC. | NOTES |
|-----|----------|-----|-------------------|-------------|------------------------------------|
| 1 | (856236) | 1 | Carburetor | | Obsolete part |
| | | | Bulletin P-23-1-1 | P-23-1-1-EN | Power valve kits, Holley |
| 1 | | | . | 12519 | |
| 2 | 856345 | 1 | Gasket | | |
| 3 | 956570 | 4 | Hex. socket screw | | |
| 4 | 941907 | 4 | Spring washer | | |
| 5 | 856677 | 1 | Flame shield | | |
| 6 | 856684 | 1 | Gasket | | |
| 6A | (857154) | 1 | Stud | | Obsolete part |
| 7 | 946934 | 1 | Flange screw | | (955912) |
| 8 | (856525) | 1 | Cardboard tube | | Obsolete part |
| 9 | 965175 | 4 | Flange screw | | |
| 10 | 857219 | 2 | Bushing | | |
| 11 | 855902 | 2 | Hose attachment | | |
| 12 | 941522 | X | Hose | | L=2X240mm |
| 13 | 856958 | 1 | Fuel pipe | | |
| 14 | (856959) | 1 | Fuel pipe | | Obsolete part |
| 15 | (856957) | 1 | Bracket | | Obsolete part |
| 16 | 940115 | 1 | Hexagon screw | | |
| 17 | 942336 | 1 | Spring washer | | |
| 18 | 940116 | 1 | Hexagon screw | | |
| 19 | 941909 | 1 | Spring washer | | |
| 20 | 945444 | 3 | Flange screw | | |
| 21 | 855569 | 1 | Cardboard tube | | |
| 22 | 855686 | 1 | Fuel filter | | |
| | | | Bulletin p-18-8-1 | p-18-8-1-EN | Volvo Penta Ethanol Fuel treatment |
| 23 | 180303 | 1 | Nipple | | |
| 24 | 834781 | 1 | Nipple | | |
| 25 | 856955 | 1 | Fuel pump | | |
| 26 | (856953) | 1 | • Nipple | | Obsolete part |
| 27 | 856954 | 1 | • Nipple | | |
| 28 | 857133 | 1 | • O-ring | | |
| 29 | 857134 | 1 | • O-ring | | |
| 30 | (857123) | 1 | Spacer | | Obsolete part |
| 31 | 857132 | 1 | Clamp | | |
| 32 | (856232) | 1 | Decal | | 740, Obsolete part |
| 33 | 856698 | 1 | Decal | | Logo Volvo Penta |