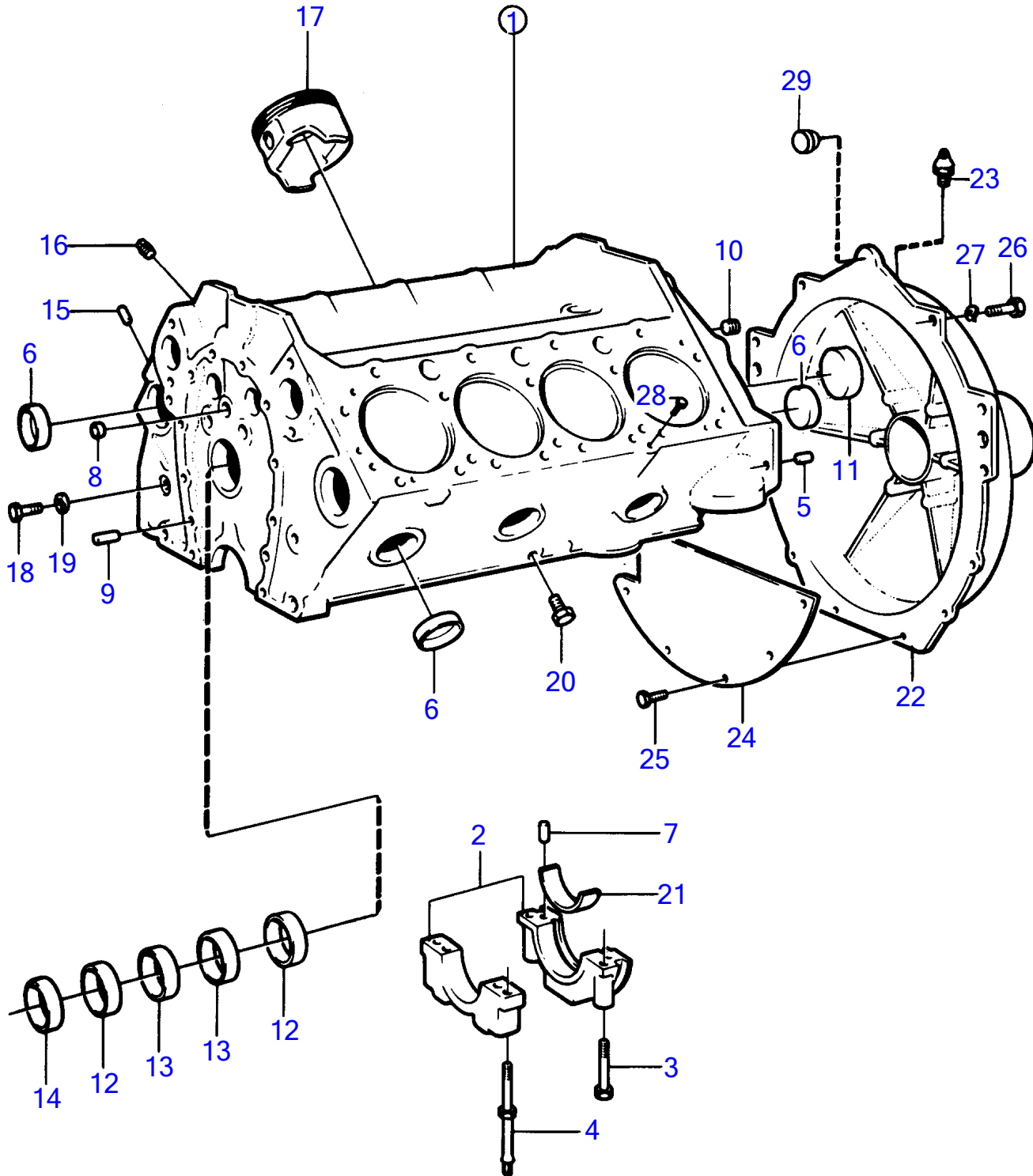


500B



## 500B

REF	PART NO.	QTY	DESCRIPTION	SEE SEC.	NOTES
1		1	cylinder block		Included in basic engine, See group 10A
2		5	• bearing cap		
3	835037	5	• Screw		
4	835038	5	• Stud	12466	
5	(818989)	2	• Locating pin		Obsolete part
6	835039	8	• Expansion plug		
7	855828	2	• Locating pin		
8	856230	4	• Plug		
9	835040	2	• Locating pin		
10	952075	5	• Plug		
11	835496	1	• Expansion plug		
12	841423	2	• Bushing	12457	
13	841424	2	• Bushing	12457	
14	841422	1	• Bearing	12457	
15	835497	4	• Locating pin		
16	191026	1	• Plug		(952069)
17	856061	8	• Piston	12450	
18	940133	1	• Hexagon screw		
19	18651	1	• Gasket		
20	192134	2	• Plug		
21		X	• main bearing kit	12450	
22	841967	1	Flywheel housing		SN-4100133752
	872113	1	Flywheel housing		SN 4100133753-
23	914167	1	Lubricating nipple		SN-410133752
24	826448	1	Cover plate		SN-4100133752
	854939	1	Cover plate		SN 4100133753-
25	947224	5	Hexagon screw		
26	941939	6	Screw		SN-4100133752
	955536	6	Hexagon screw		SN 4100133753-
27	942336	6	Spring washer		
28	943835	1	Plug		
29	944738	1	Plug		SN-4100133752