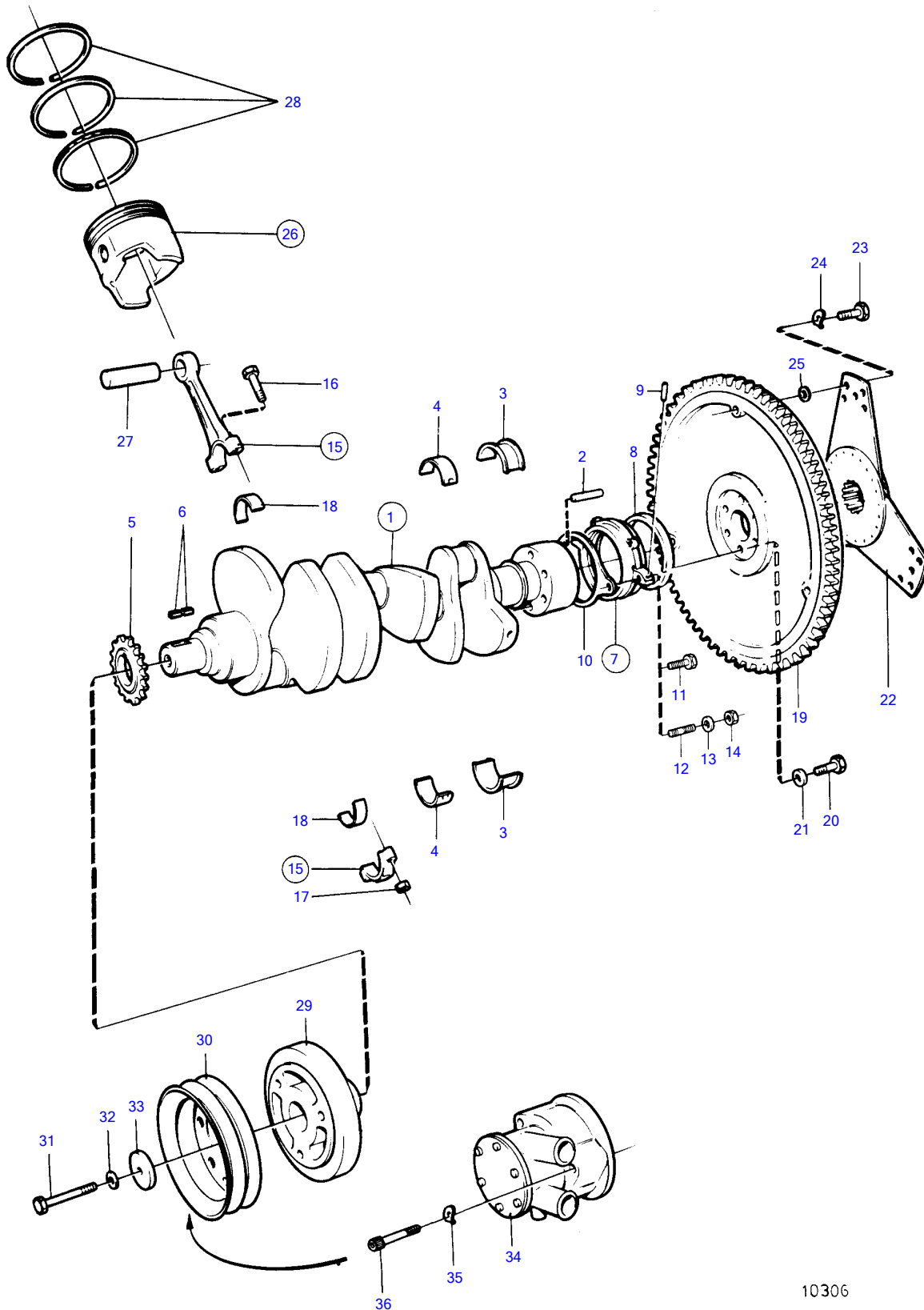


430A



10306

430A

| REF | PART NO. | QTY | DESCRIPTION                        | SEE SEC.     | NOTES  |
|-----|----------|-----|------------------------------------|--------------|--|
| 1   | 856372   | 1   | Crankshaft                         |              | Included in basic engine, See group 10A            |
| 2   | 835057   | 1   | • Pin                              |              |  |
| 3   | 856439   | 1   | Thrust bearing                     |              | Std  |
|     | 856666   | 1   | Thrust bearing                     |              | Under size 0,010"                                  |
|     | 856765   | 1   | Main bearing                       |              | Under size 0,020"                                  |
| 4   | 856739   | 4   | Main bearing                       |              | Std  |
|     | 841254   |     | • Main bearing, main bearing shell |              | Std, Repl by 856739                                |
|     |          |     |                                    |              | Upper  |
|     | 841255   |     | • Main bearing, main bearing shell |              | Std, Repl by 856739                                |
|     |          |     |                                    |              | Lower  |
|     | 856342   | 4   | Main bearing                       |              | Under size 0,010"                                  |
|     | 856764   | 4   | Main bearing                       |              | Under size 0,020"                                  |
| 5   |          | 1   | sprocket                           | 12455        |  |
| 6   | 857261   | 1   | Key                                |              |  |
| 7   | 855907   | 1   | Retainer                           |              | Included in basic engine                           |
| 8   | 855809   | 1   | • Crankshaft seal                  |              |  |
| 9   | 855808   | 2   | Stud                               |              |  |
| 10  | 855810   | 1   | Gasket                             |              |  |
| 11  | 855811   | 2   | Screw                              |              | L=20mm   |
|     | 855812   | 1   | Screw                              |              |  |
| 12  | 855813   | 1   | Stud                               |              |  |
| 13  | 955893   | 1   | Washer                             |              |  |
| 14  | 955825   | 1   | Hexagon nut                        |              |  |
| 15  | 856375   | 6   | Connecting rod                     |              |  |
| 16  | 856376   | 12  | • Screw                            |              |  |
| 17  | 835473   | 12  | • Nut                              |              |  |
| 18  | 856383   | 6   | Rod bearing                        |              | Std  |
| 19  | (856374) | 1   | Flywheel                           |              | Obsolete part                                      |
| 20  | 835439   | 6   | Screw                              |              |  |
| 21  | 941909   | 6   | Spring washer                      |              |  |
| 22  | 855694   | 1   | Absorber                           |              |  |
| 23  | 835482   | 3   | Screw                              |              |  |
| 24  | 942336   | 3   | Spring washer                      |              |  |
| 25  | 940097   | 3   | Washer                             |              |  |
| 26  | 856827   | 6   | Piston                             |              | Incl.in cylinderblock., Std Repl by 857238         |
|     |          |     | Bulletin P-21-0-11                 | P-21-0-11-EN | Longblock Guidelines, early 5.7L                   |
| 26  | 856828   | 6   | Piston                             |              | Over size 0,030"Repl by8                           |
| 27  |          | 6   | • gudgeon pin                      |              |  |
| 28  | 857240   | 6   | Piston ring                        |              | For piston with shallow grooves., Std              |
|     | 856381   | 6   | Piston ring kit                    |              | For piston with deep grooves., Std                 |
|     | 857241   | 6   | Piston ring                        |              | For piston with shallow grooves., Over size 0,030" |
|     | 856382   | 6   | Piston ring kit                    |              | For piston with deep grooves., Over size 0,030"    |
| 29  | 856373   | 1   | Vibration damper                   |              |  |
| 30  | 835407   | 1   | Pulley                             |              |  |
| 31  | 955696   | 1   | Hexagon screw                      |              |  |
| 32  | (835410) | 1   | Lock washer                        |              | Obsolete part                                      |
| 33  | 835409   | 1   | Washer                             |              |  |
| 34  |          | 1   | sea water pump                     |              | See group 2B                                       |
| 35  | 942336   | 3   | Spring washer                      |              |  |
| 36  | (968531) | 3   | Hex. socket screw                  |              | Obsolete part                                      |

7736260-21-12448

10306

Upd:2014-10-28