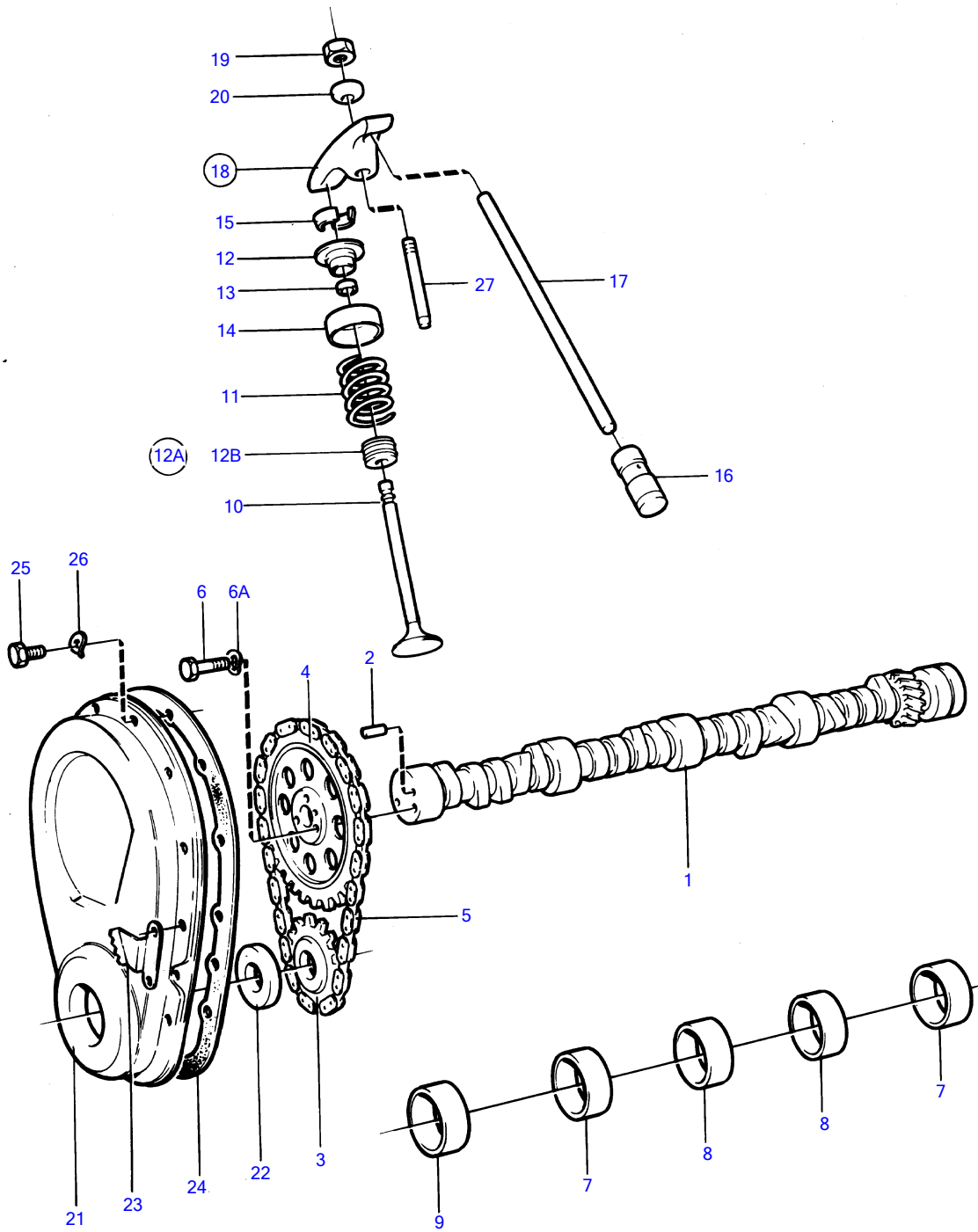


500B, 501B



7210

500B, 501B

| REF | PART NO. | QTY | DESCRIPTION | SEE SEC. | NOTES |
|-----|----------|-----|---------------------|----------|---------------------------------|
| 1 | 835465 | 1 | Camshaft | | |
| 2 | 835040 | 1 | • Locating pin | | |
| 3 | 856069 | 1 | Sprocket | | |
| 4 | 856068 | 1 | Sprocket | | |
| 5 | 856070 | 1 | Camshaft chain | | |
| 6 | 940135 | 3 | Hexagon screw | | |
| 6A | 941907 | 3 | Spring washer | | |
| 7 | 841423 | 2 | Bushing | | Incl.in cylinderblock. |
| 8 | 841424 | 2 | Bushing | | Incl.in cylinderblock. |
| 9 | 841422 | 1 | Bearing | | Incl.in cylinderblock. |
| 10 | 835541 | 8 | Exhaust valve | | Std |
| | 841372 | 8 | Exhaust valve | | Over size 0,015" |
| | (841860) | 8 | Inlet valve | | Std, Obsolete part |
| | (841861) | 8 | Inlet valve | | Over size 0,015", Obsolete part |
| | (841862) | 8 | Valve | | Over size 0,030", Obsolete part |
| 11 | 835102 | 16 | Spring | | |
| 12 | 855825 | 8 | Valve spring washer | | For exhaust valve. |
| | 841782 | 8 | Valve spring washer | | |
| 12A | 855564 | 1 | Sealing kit | | |
| 12B | | 8 | • seal | | |
| 13 | | 16 | • oil seal | | |
| 14 | 841781 | 16 | Shield | | |
| 15 | 835401 | 32 | Valve collet | | |
| 16 | 835089 | 16 | Tappet | | |
| 17 | 841941 | 16 | Push rod | | |
| 18 | 856421 | 16 | Rocker arm | | |
| 19 | 841198 | 16 | • Nut | | |
| 20 | 841199 | 16 | • Ball | | |
| 21 | 856422 | 1 | Timing gear casing | | |
| 22 | 856665 | 1 | • Sealing ring | | |
| 23 | 841038 | 1 | Setting indicator | | |
| 24 | 856663 | 1 | Gasket | | |
| 25 | 841426 | 10 | Screw | | |
| 26 | 941906 | 10 | Spring washer | | Early type |
| 27 | 835108 | 16 | Stud | 12436 | |
| | 841779 | 16 | Stud | | Over size 0,013" |