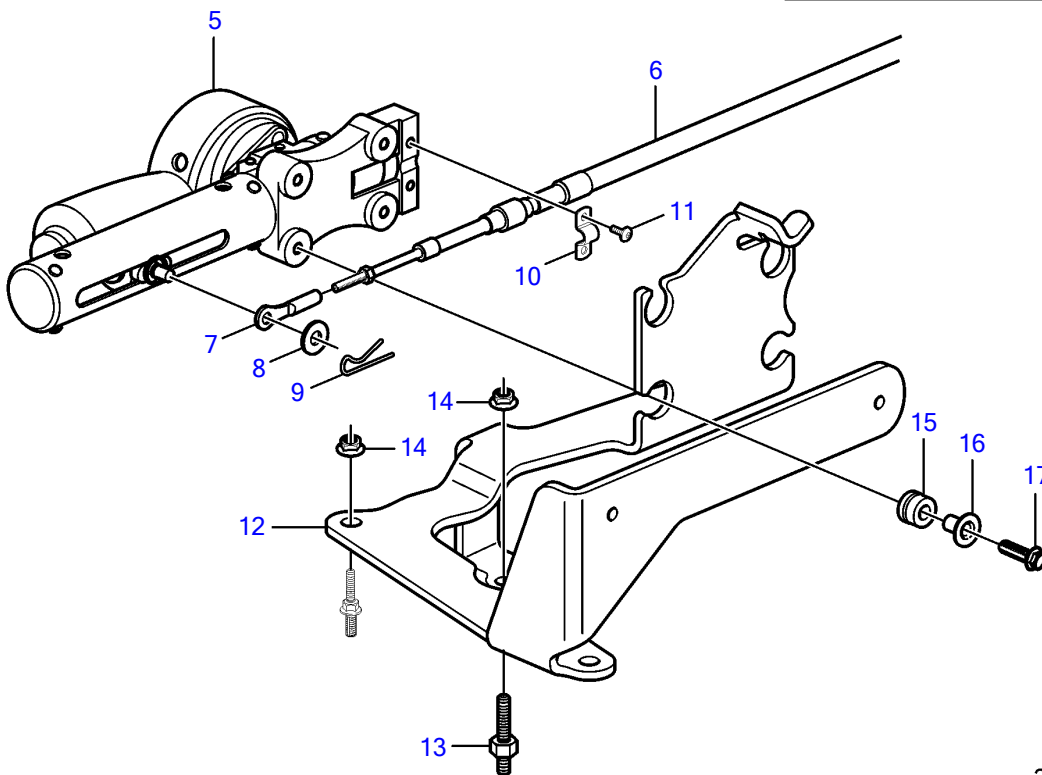
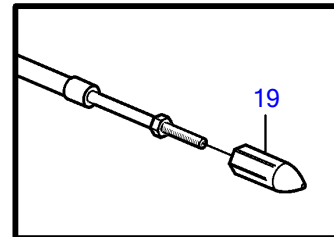
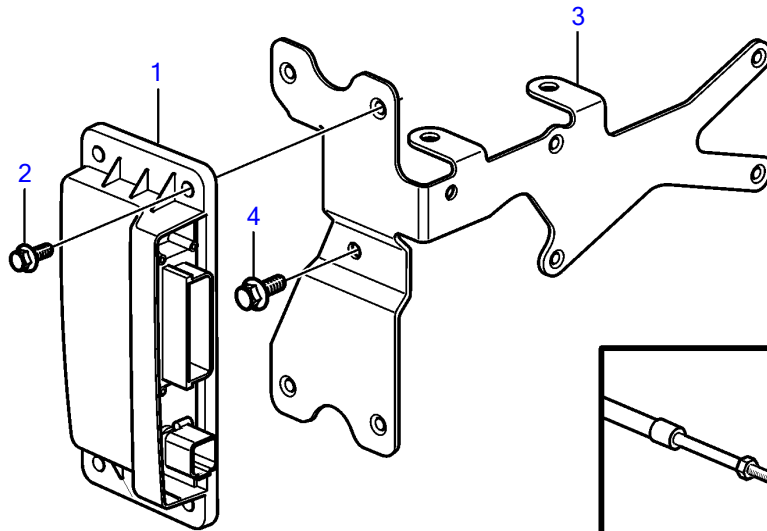
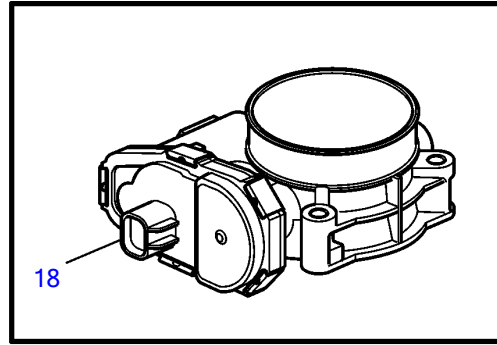


4.3GXIE-225-R



4.3GXIE-225-R

REF	PART NO.	QTY	DESCRIPTION	NOTES
1	21469059	1	Control unit	
	3586267	1	Software	Warehouse programming. This p/n can not be ordered, but will be used for invoicing.
	3586266	1	Software	Vodia-programming. This p/n can not be ordered, but will be used for invoicing.
2	945444	4	Flange screw	
3	21297326	1	Bracket	
4	3852568	1	Flange screw	
5	3848712	1	Shift motor	Shift
6	3594991	1	Cable	
7	3850941	1	Adapter	
8	940191	1	Washer	
9	17253	1	Split pin	
10	21144647	1	Bracket	
11	973155	2	6 point socket screw	
12	21297333	1	Bracket	
13	3594748	1	Spacer screw	L=45mm
14	981124	3	Flange nut	
15	3594888	4	Vibration damper	
16	3594890	4	Sleeve	
17	3843651	4	Flange screw	
18		1	Throttle control	See "Throttle Body" page
19	40005050	1	Guide	