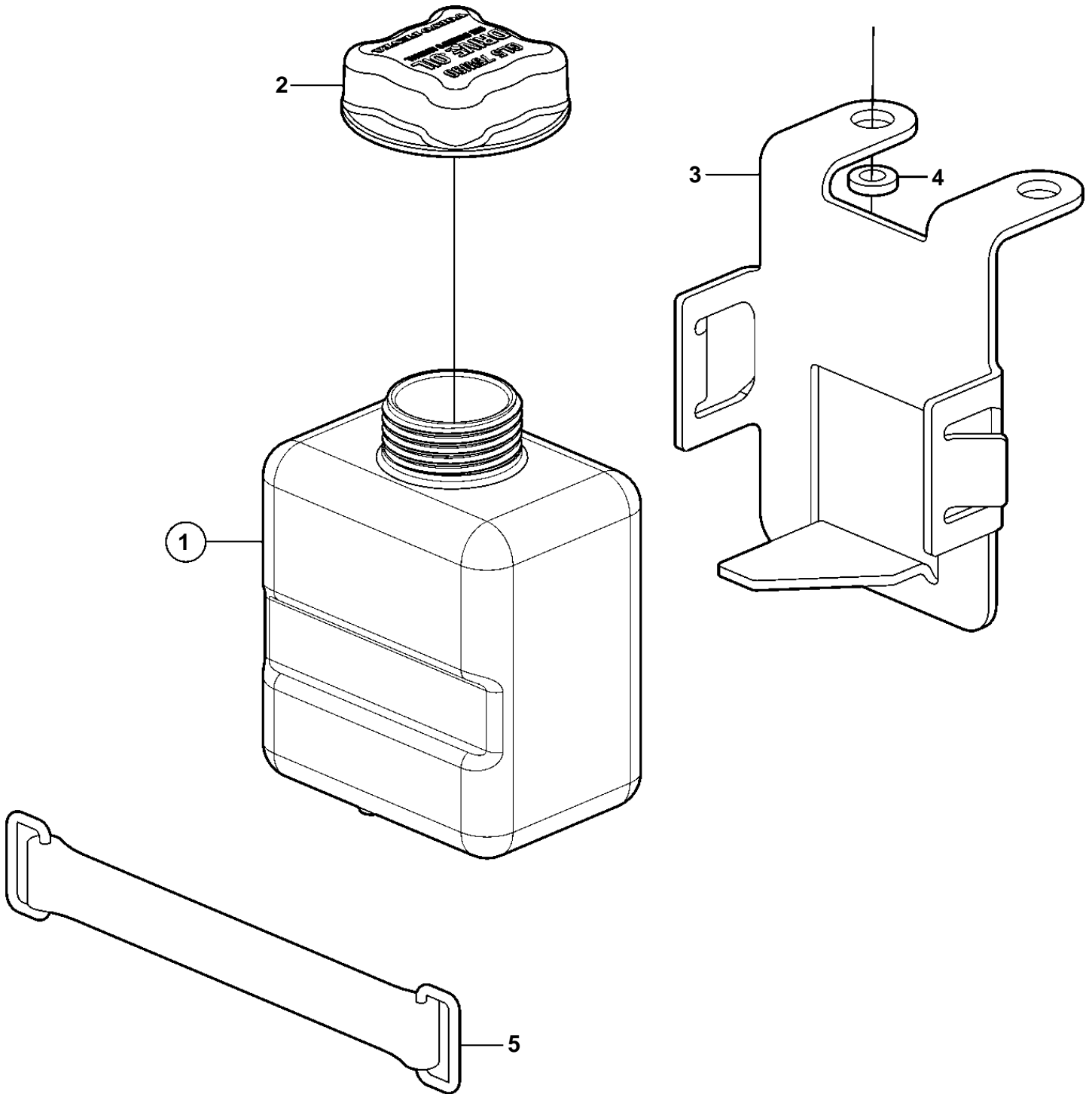


4.30Si-J, 4.30Si-JF



18772

