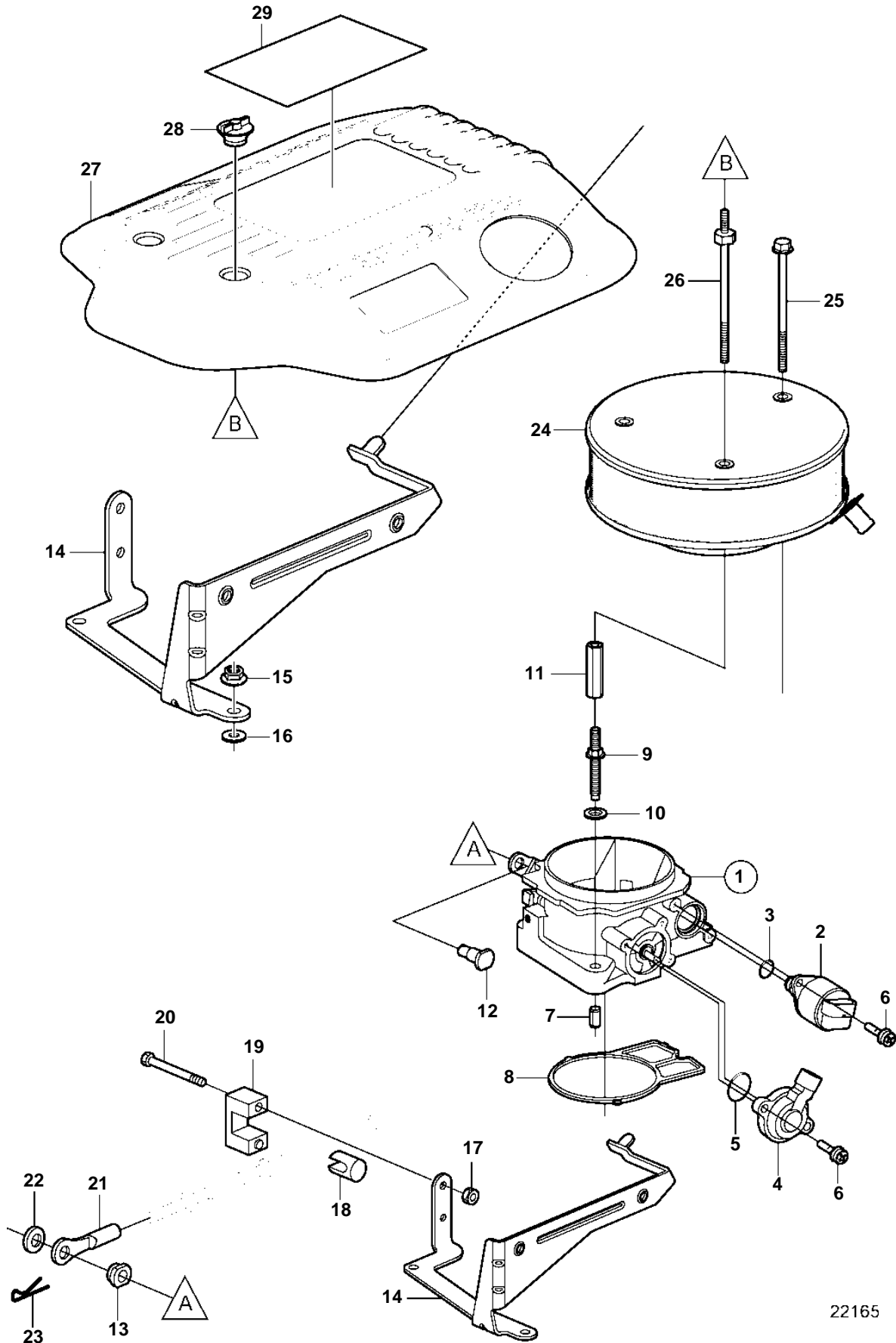


4.30Si-J, 4.30Si-JF



22165

## 4.3OSi-J, 4.3OSi-JF

REF	PART NO.	QTY	DESCRIPTION	NOTES
1	3858963	1	Body	
2	3843751	1	· Sensor	
3	3858054	1	· · O-ring	
4	3857487	1	· Sensor	
5		1	· O-ring	not sold separately
6	3857693	1	· Screw	
7		2	Spacer	Part not sold
8	3858965	1	Gasket	
9	3858964	3	Stud	
10		3	· Washer	not sold separately
11	3862463	3	Nut	
12	3854743	1	Pin	
13	3852004	1	Nut	
14	3819214	1	Bracket	
15	981124	2	Flange nut	
16	3852193	2	Washer	
17	3852118	1	Nut	
18	3852019	1	Retainer	
19	3850266	1	Anchor	
20	3852048	1	Screw	
21	3850941	1	Adapter	
22	3852193	1	Washer	
23	3852052	1	Split pin	
24	3861762	1	Flame shield	
25	983643	1	Flange screw	
26	3817816	2	Stud	
27	3818430	1	Cover	
28	3841608	2	Nut	
29	3861938	1	Decal	4.3OSi