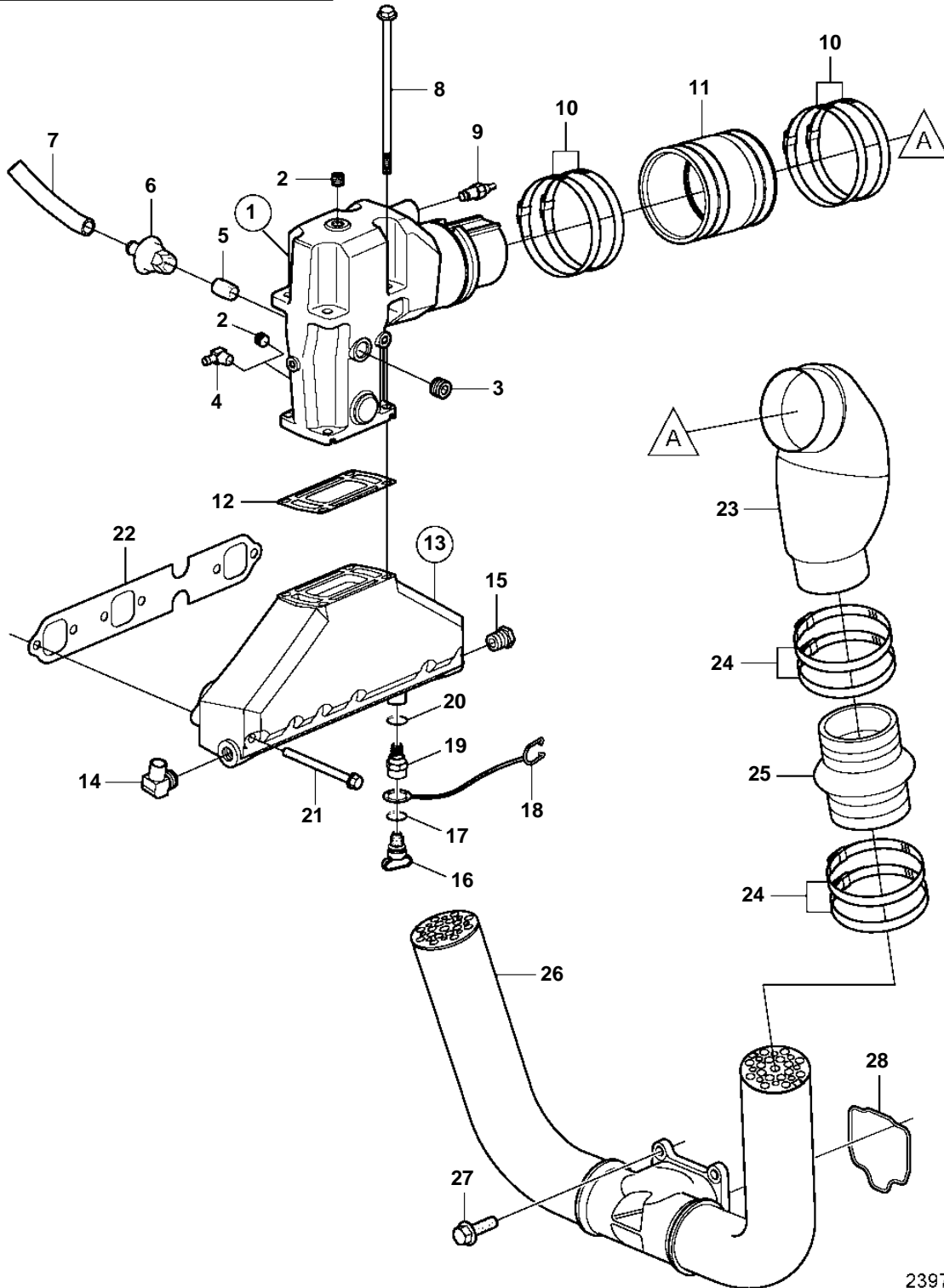
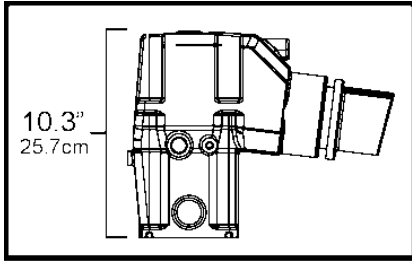


4.30Si-J, 4.30Si-JF



4.30Si-J, 4.30Si-JF

REF	PART NO.	QTY	DESCRIPTION	SEE SEC.	NOTES
1	3889964	2	Manifold		
			· Bulletin P-25-1-4	P-25-1-4-EN	Tall Riser Options
2	3850740	3	Plug		
3	3850999	2	Plug		
4	3853597	1	Elbow		
5	3857763	2	Fitting		
6	3857761	2	Valve		
7	3857178	2	Hose		
8	3808361	8	Screw		
9	3862500	2	Temperature sensor		
10	3863443	8	Hose clamp		
11	3852696	2	Hose		
12	3863191	1	Kit		
		2	· Gasket		not sold separately
13	3847672	2	Manifold		
14	3852538	2	Elbow		
15	3595388	2	Plug		
16	21114522	2	Drain plug		
	3849500	2	· Plug		Replaced by 21114522
17	976970	2	· O-ring		
18	3849892	2	· Retainer		
19	21238201	2	Adapter		
20	976970	2	· O-ring		
21	3857184	12	Flange screw		
22	3853412	2	Gasket		
23	3854874	2	Exhaust pipe		
24	3863442	8	Hose clamp		
25	3863450	2	Bellows		
26	3594152	1	Exhaust pipe		
27	3841928	4	Screw		
28	3860984	1	Sealing		