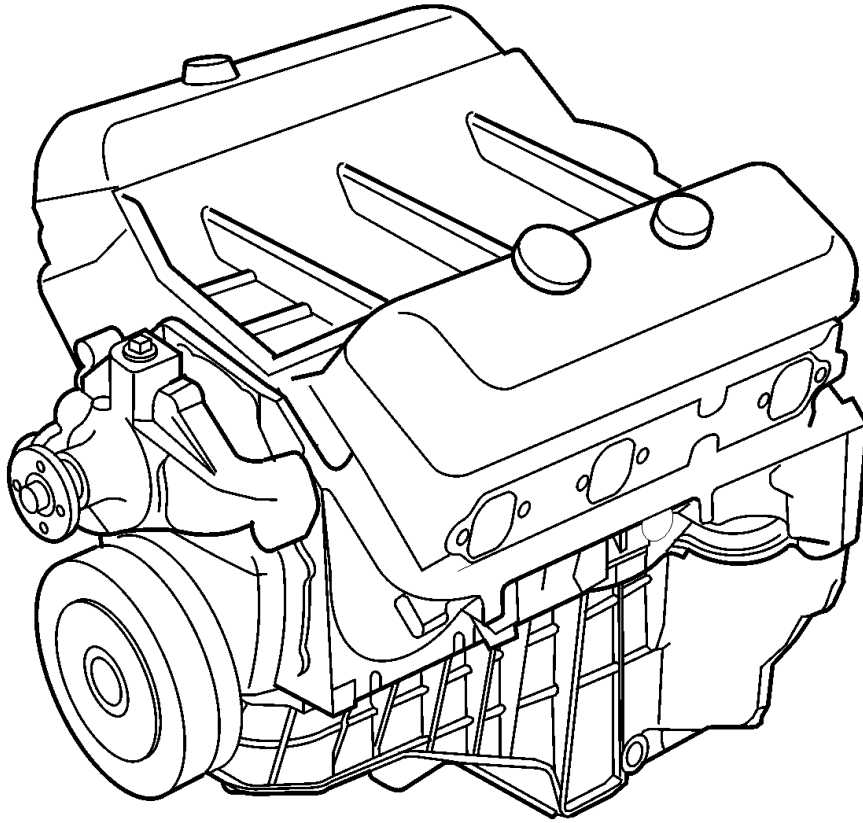


4.3GXi-J, 4.3GXi-JF, 4.3OSi-J, 4.3OSi-JF

①



4.3GXi-J, 4.3GXi-JF, 4.3OSi-J, 4.3OSi-JF

REF	PART NO.	QTY	DESCRIPTION	SEE SEC.	NOTES
1	3886846	1	Kit		Image is a generic picture of longblock, details about included parts are in Parts Bulletin.
			• Bulletin P-21-0-21	P-21-0-21-EN	Longblock Guidelines, 4.3GL
			• Bulletin P-21-0-22	P-21-0-22-EN	Longblock Guidelines, 4.3GX & OSI