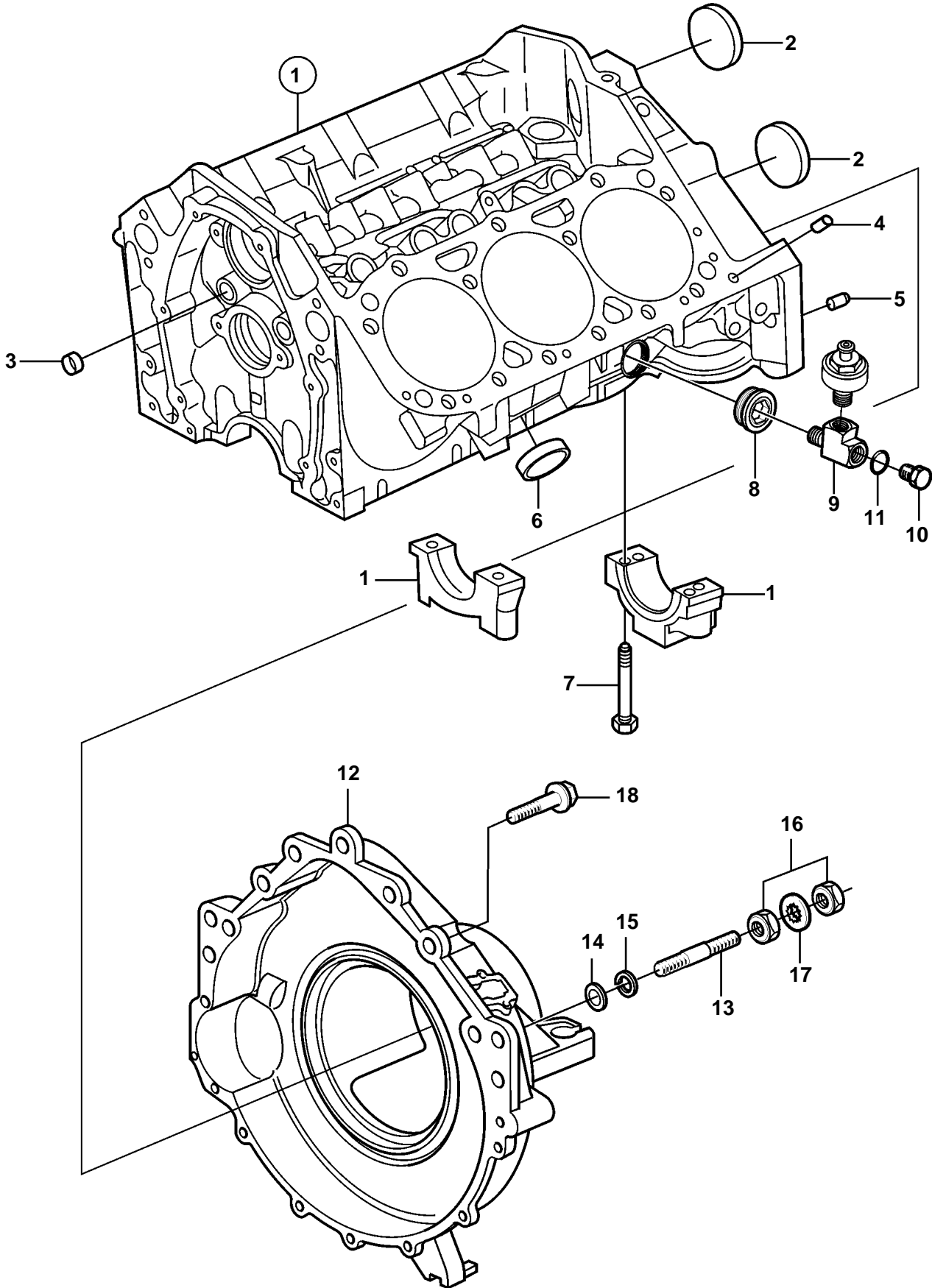


4.3GXi-JF, 4.3OSi-JF



4.3GXi-JF, 4.3OSi-JF

REF	PART NO.	QTY	DESCRIPTION	NOTES
1		1	Cylinder block	
2	3853209	2	· Core plug	
3	3853208	2	· Cap plug	
4	3853114	4	· Locating pin	
5	3856001	2	· Pin	
6	3852100	8	· Core plug	
7	3862355	10	· Bolt	
8	3593585	1	Plug	Port
9	3593571	1	Fitting	Port
	3849477	1	Fitting	Starboard
10	40005082	2	Plug	
11		2	· O-ring	not sold separately
12	3808573	1	Flywheel housing	
13	3857937	2	Stud	
14	980933	2	Washer	
15	3852046	2	Spring washer	
16	971074	6	Hexagon nut	
17	982679	4	Toothed washer	
18	965222	2	Flange screw	L=65mm
	946472	2	Flange screw	L=30mm