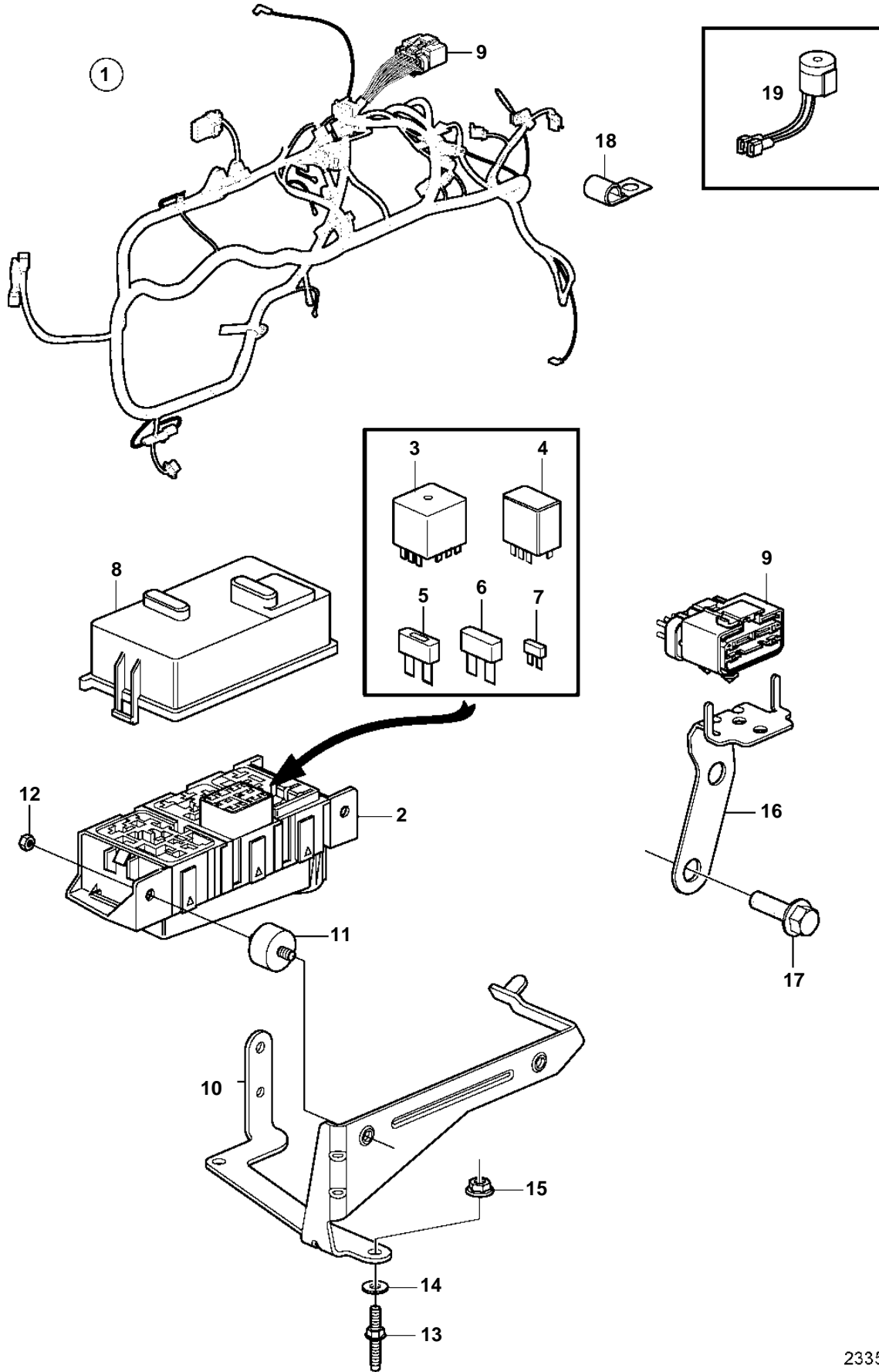


4.30Si-J, 4.30Si-JF



4.30Si-J, 4.30Si-JF

REF	PART NO.	QTY	DESCRIPTION	NOTES
1	3848899	1	Wiring harness	
2		1	· Fuse box	not sold separately
3	3858809	3	· Relay	
4	3841366	2	· Relay	
5	3841369	1	· Fuse	50A
6	3841370	1	· Fuse	40A
	3841371	1	· Fuse	20A
7	3841373	X	· Fuse	5A
	3863403	X	· Fuse	7.5A
	3841372	X	· Fuse	10A
	3861373	X	· Fuse	15A
	3861374	X	· Fuse	20A
8		1	· Cover plate	not sold separately
9		1	· Connector, 14 pin	not sold separately
10	3819214	1	Bracket	
11	3840402	2	Mounting base	
12	3852118	2	Nut	
13	3858973	2	Bolt	
14	3852193	2	Washer	
15	981124	2	Flange nut	
16	3884234	1	Bracket	
17	3853557	2	Screw	
18	3852146	2	Clamp, J	D=.375" (9.5mm)
	3852434	3	Clamp, J	D=.750" (19.0mm)
19	3883706	1	Alarm	Mounted at the helm.