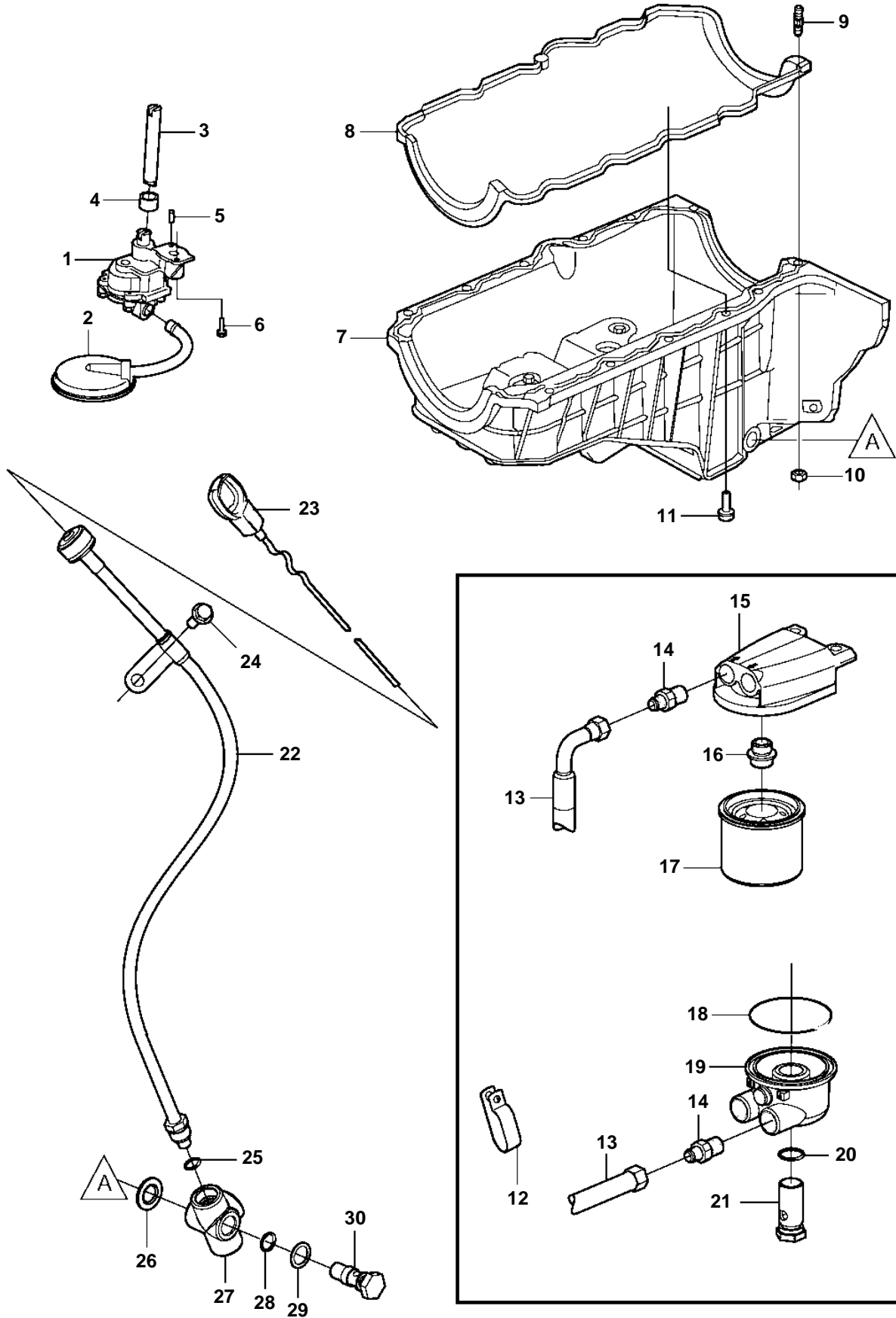


4.3GXi-F, 4.3GXi-FF, 4.3OSi-F, 4.3OSi-FF



## 4.3GXi-F, 4.3GXi-FF, 4.3OSi-F, 4.3OSi-FF

REF	PART NO.	QTY	DESCRIPTION	SEE SEC.	NOTES
1	3856125	1	Oil pump		
2	3857714	1	Oil pump screen		
3	3853198	1	Shaft		
4	3853199	1	Retainer		
5	3855972	2	Pin		
6	3853234	1	Screw		
7	3858697	1	Oil pan		
8	3855801	1	Gasket kit		
9	3857718	2	Stud		
10	3856930	2	Nut		
11	3855802	10	Screw		
12	3860075	1	Clamp		
13	3808638	2	Oil line		
14	3860234	4	Fitting		
15	3840727	1	Adapter		
16	3852015	1	• Connector		
17	835440	1	Oil filter		
			Bulletin P-21-7-1	P-21-7-1-EN	Oil Filters, GM gas engines
18	3854416	1	O-ring		
19	3860059	1	Adapter		
20	3852089	1	O-ring		
21	3854695	1	Retainer		
22	3860214	1	Tube		
23	3862843	1	Oil dipstick		
24	3853405	1	Screw		
25	3852033	1	O-ring		
26	3851981	1	Sealing washer		
27	3587783	1	Fitting		
28	3853674	1	O-ring		
29	3852007	1	Washer		
30	888958	1	Retainer		