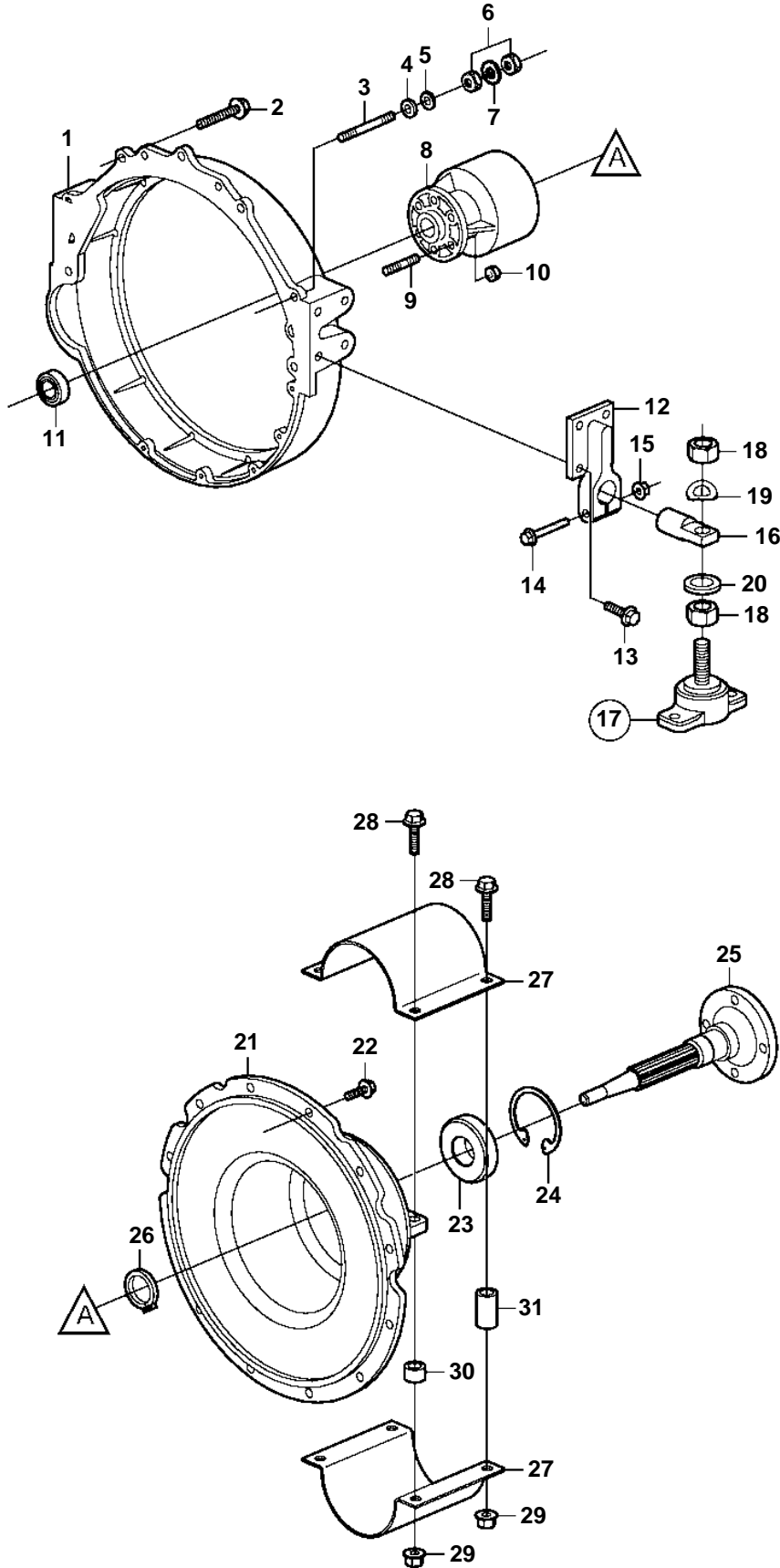


4.3GXi-F, 4.3GXi-FF, 4.3OSi-F, 4.3OSi-FF



4.3GXi-F, 4.3GXi-FF, 4.3OSi-F, 4.3OSi-FF

REF	PART NO.	QTY	DESCRIPTION	NOTES
1	3851722	1	Flywheel housing	
2	947790	4	Flange screw	
3	3862493	2	Stud	
4	980933	2	Washer	
5	3852046	2	Lock washer	
6	971074	6	Nut	
7	982679	4	Lock washer	
8	3858437	1	Rubber coupling	
9	3853274	6	Stud	
10	3853273	6	Lock nut	
11	3858846	1	Bearing	
12		2	Bracket	
13	965187	8	Screw	
14	965222	2	Screw	
15	971098	2	Flange lock nut	
16		2	Pin	
17	857251	2	Rubber cushion	
18	955860	4	· Nut	
19	941914	2	Spring washer	
20	955902	2	Washer	
21	3851727	1	Bearing housing	
22	946752	11	Flange screw	
23	181877	1	Ball bearing	
24	914540	1	Lock ring	
25	3851724	1	Flange	
26	914465	1	Lock ring	
27	3851729	2	Cover	
28	948039	4	Flange screw	L=65mm
29	977938	4	Flange lock nut	
30	983740	8	Spacer	L=10mm
31	983741	4	Spacer	L=33mm