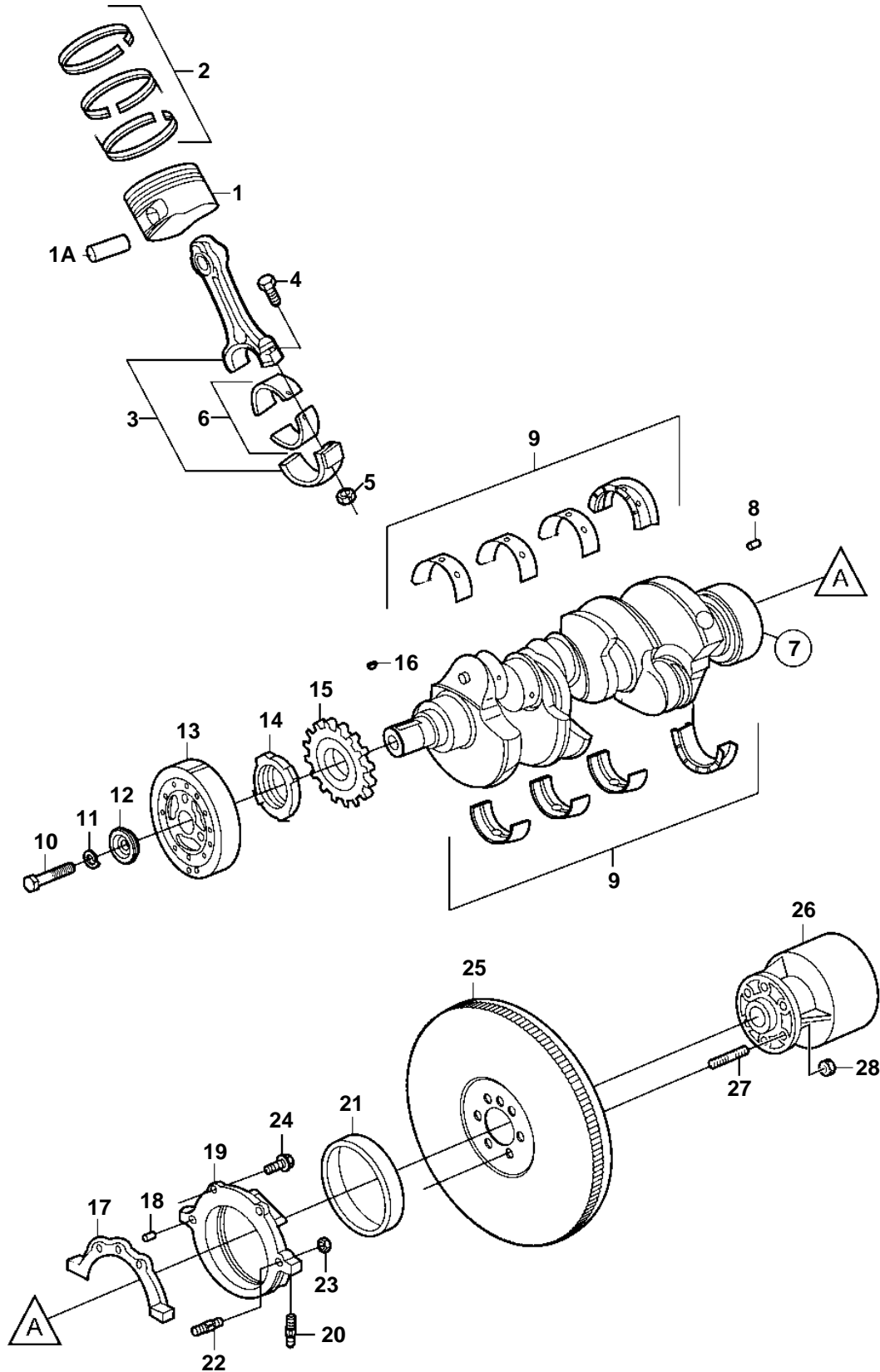


4.3GXi-F, 4.3GXi-FF, 4.3OSi-F, 4.3OSi-FF



18795

4.3GXi-F, 4.3GXi-FF, 4.3OSi-F, 4.3OSi-FF

REF	PART NO.	QTY	DESCRIPTION	SEE SEC.	NOTES
1	3855742	6	Piston		STD
	3855743	X	Piston		O.S=0.50mm
1A		6	· Pin		
2	3855740		· Piston ring kit		STD
	3855741		· Piston ring kit		O.S=0.50mm
3	3854173	6	Connecting rod		
4	3853179	12	· Screw		
5	3853413	12	· Nut		
6	3854955	6	Rod bearing		STD
			Bulletin P-21-6-2	P-21-6-2-EN	Rod Bearings, 4.3L
7	3858693	1	Crankshaft		
8	3855969	1	· Pin		
9	3859025	1	Main bearing kit		STD
10	949518	1	Screw		
11	3852046	1	Lock washer		
12	3858177	1	Washer		
13	3859022	1	Vibration damper		
14	3862363	1	Ring		
15		1	Gear		
16	3859024	2	Woodruff key		
17	3852656	1	Gasket		
18	3856140	1	Pin		
19	3858695	1	Housing		
20	3857718	2	· Stud		
21	3858698	1	· Seal		
22	3859027	1	Stud		
23	3853206	1	Nut		
24	3853203	2	Screw		L=.875" (22.2mm)
	3853204	1	Screw		L=1.75" (44.5mm)
25	3858694	1	Flywheel		
	3855970	1	· Gear ring		
26	3858437	1	Rubber coupling		
27	3853274	6	Stud		
28	3853273	6	Lock nut		