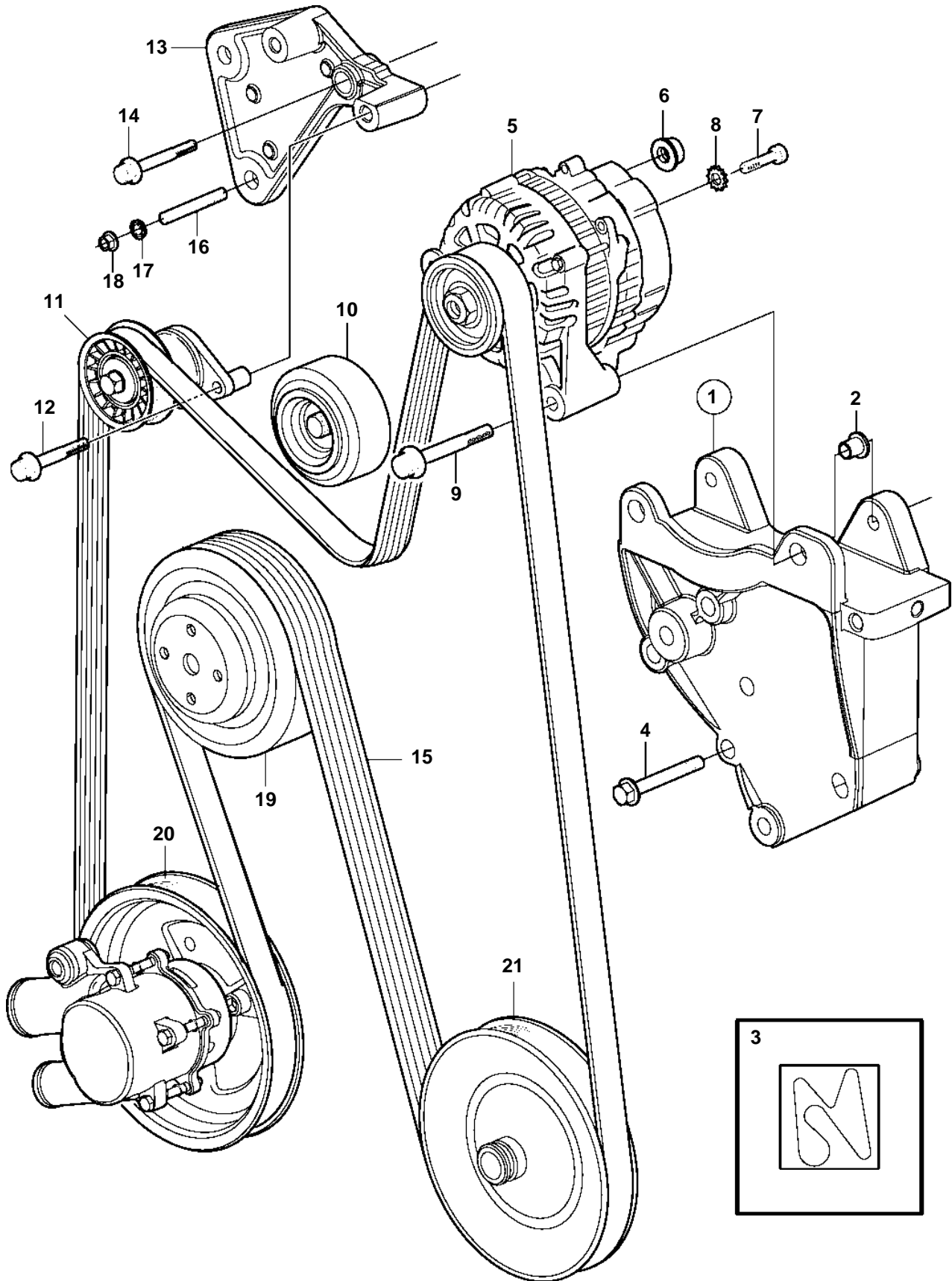


4.3GXi-F, 4.3GXi-FF, 4.3OSi-F, 4.3OSi-FF



4.3GXi-F, 4.3GXi-FF, 4.3OSi-F, 4.3OSi-FF

| REF | PART NO. | QTY | DESCRIPTION |
|-----|----------|-----|---------------------------|
| 1 | 3819030 | 1 | Bracket |
| 2 | 3863175 | 2 | · Bushing |
| 3 | 3863274 | 1 | Decal |
| 4 | 3860281 | 3 | Screw |
| 5 | 3862665 | 1 | Alternator |
| 6 | 945408 | 1 | Flange nut |
| 7 | 3852208 | 1 | Screw |
| 8 | 3852520 | 1 | Washer |
| 9 | 947790 | 2 | Flange screw |
| 10 | 3861009 | 1 | Pulley |
| 11 | 3587858 | 1 | Belt tensioner |
| 12 | 3841928 | 2 | Flange screw |
| 13 | 3817292 | 1 | Bracket |
| 14 | 3841928 | 1 | Flange screw |
| 15 | 3817287 | 1 | Drive belt |
| 16 | 3860928 | 2 | Stud |
| 17 | 3860538 | 2 | Nut, speed |
| 18 | 3853404 | 2 | Lock nut |
| 19 | | 1 | Pulleycirculation pump |
| 20 | | 1 | Sea water pump |
| 21 | | 1 | Pulleypower steering pump |