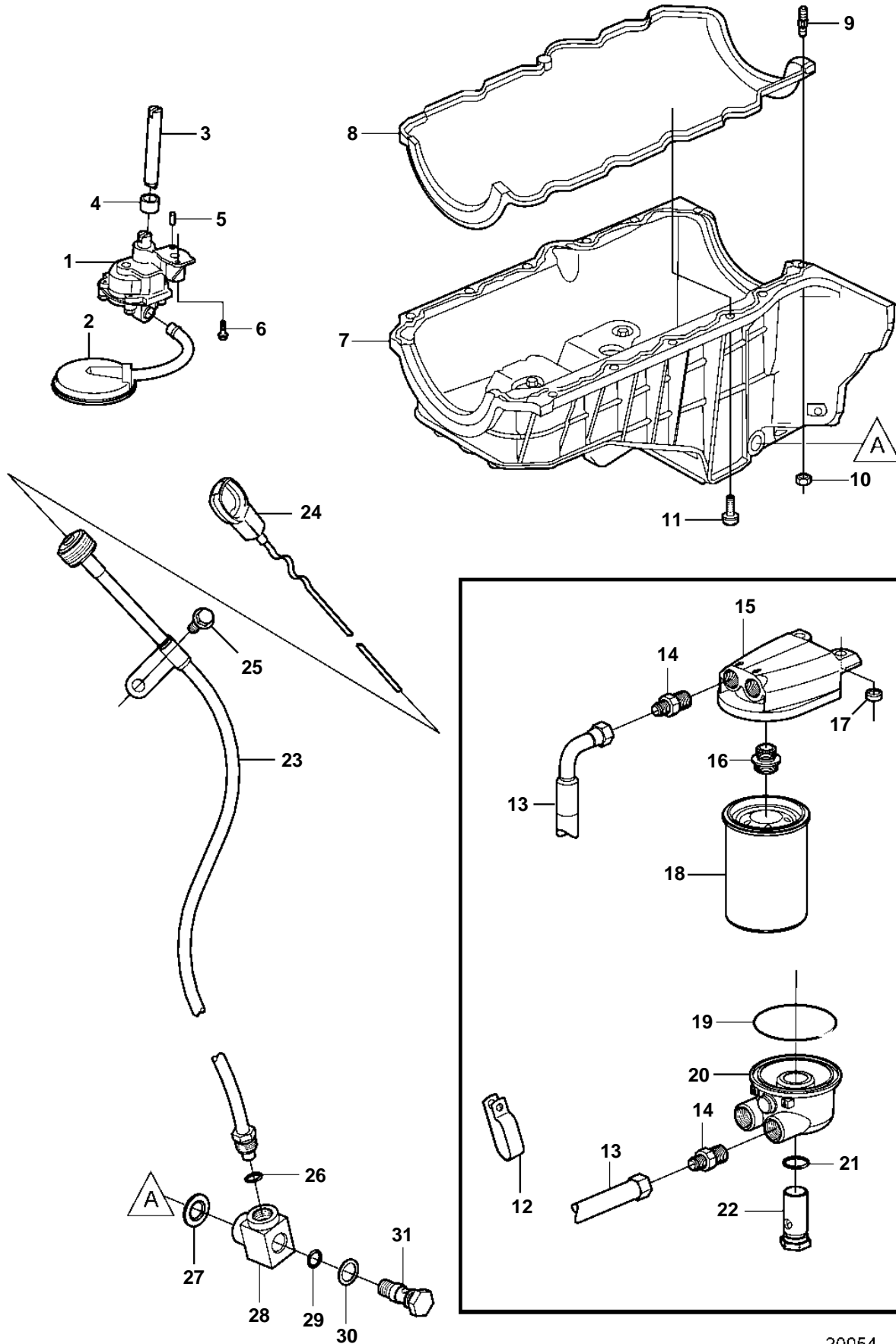


4.3GXi-C, 4.3GXi-CF, 4.3GXi-D, 4.3GXi-DF



4.3GXi-C, 4.3GXi-CF, 4.3GXi-D, 4.3GXi-DF

| REF | PART NO. | QTY | DESCRIPTION | SEE SEC. | NOTES |
|-----|----------|-----|---------------------|-------------|-----------------------------|
| 1 | 3856125 | 1 | Oil pump | | |
| 2 | 3857714 | 1 | Oil pump screen | | |
| 3 | 3853198 | 1 | Shaft | | |
| 4 | 3853199 | 1 | Retainer | | |
| 5 | 3855972 | 2 | Pin | | |
| 6 | 3853234 | 1 | Screw | | |
| 7 | 3858697 | 1 | Oil pan | | |
| 8 | 3855801 | 1 | Gasket kit | | |
| 9 | 3857718 | 2 | Stud | | |
| 10 | 3856930 | 2 | Nut | | |
| 11 | 3855802 | 10 | Screw | | |
| 12 | 3860075 | 1 | Clamp | | |
| 13 | 3862602 | 2 | Oil line | | |
| 14 | 3860234 | 4 | Fitting | | |
| 15 | 3860450 | 1 | Adapter | | |
| 16 | 3852015 | 1 | · Connector | | |
| 17 | 930842 | 1 | Washer | | |
| 18 | 3850559 | 1 | Oil filter | | |
| | | | · Bulletin P-21-7-1 | P-21-7-1-EN | Oil Filters, GM gas engines |
| 19 | 3854416 | 1 | O-ring | | |
| 20 | 3860059 | 1 | Adapter | | |
| 21 | 3852089 | 1 | O-ring | | |
| 22 | 3854695 | 1 | Retainer | | |
| 23 | 3860214 | 1 | Tube | | |
| 24 | 3862843 | 1 | Oil dipstick | | |
| 25 | 3853419 | 1 | Screw | | |
| 26 | 3852033 | 1 | O-ring | | |
| 27 | 3851981 | 1 | Sealing washer | | |
| 28 | 3855722 | 1 | Fitting | | |
| 29 | 3853674 | 1 | O-ring | | |
| 30 | 3852007 | 1 | Washer | | |
| 31 | 3855721 | 1 | Retainer | | |