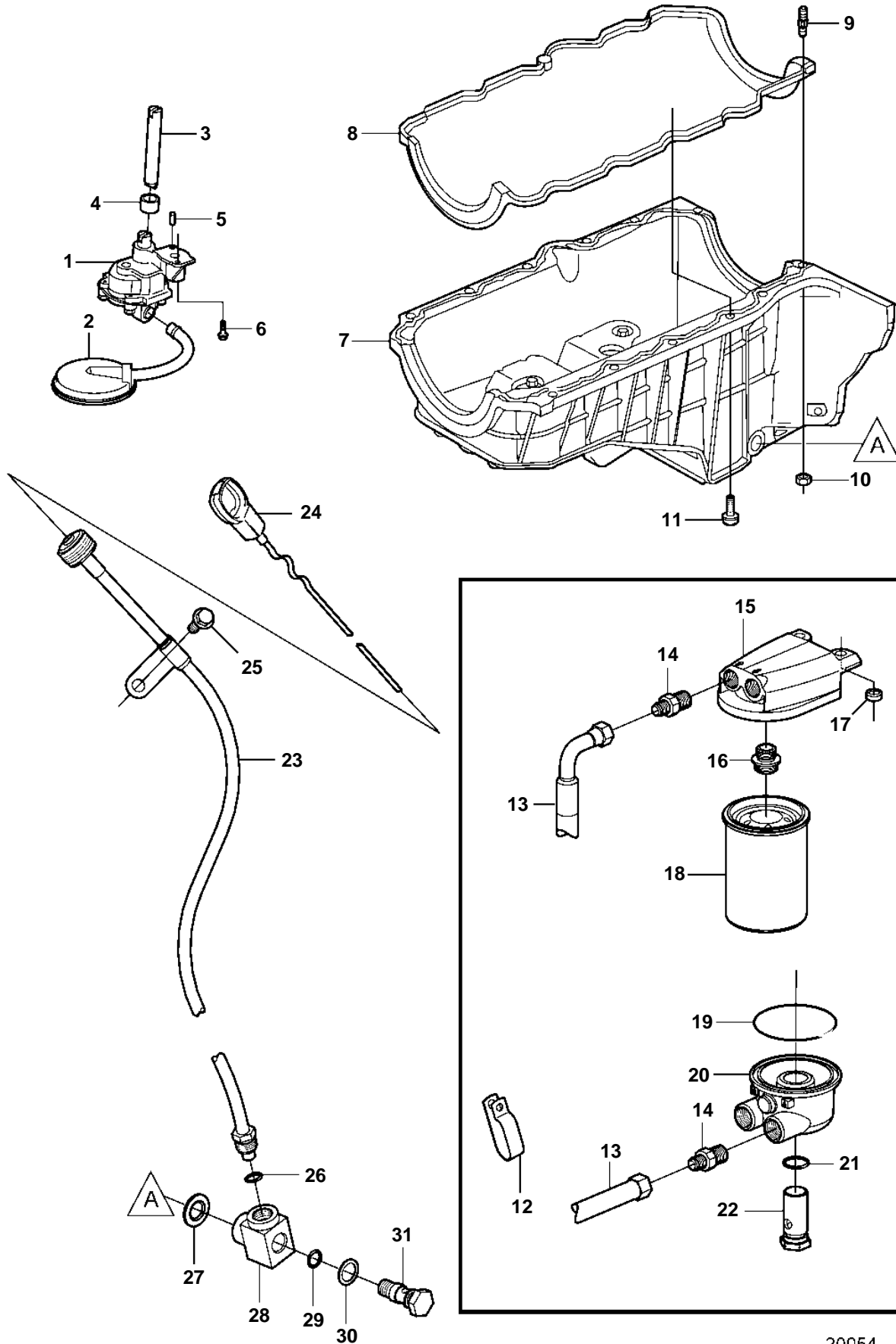


4.30Si-C, 4.30Si-CF, 4.30Si-D, 4.30Si-DF



4.3OSi-C, 4.3OSi-CF, 4.3OSi-D, 4.3OSi-DF

REF	PART NO.	QTY	DESCRIPTION	SEE SEC.	NOTES
1	3856125	1	Oil pump		
2	3857714	1	Oil pump screen		
3	3853198	1	Shaft		
4	3853199	1	Retainer		
5	3855972	2	Pin		
6	3853234	1	Screw		
7	3859030	1	Oil pan		REPLACED BY 3858697
8	3855801	1	Gasket kit		
9	3857718	2	Stud		
10	3856930	2	Nut		
11	3855802	10	Screw		
12	3860075	1	Clamp		
13	3862602	2	Oil line		
14	3860234	4	Fitting		
15	3860450	1	Adapter		
16	3852015	1	• Connector		
17	930842	1	Washer		
18	3850559	1	Oil filter		
			• Bulletin P-21-7-1	P-21-7-1-EN	Oil Filters, GM gas engines
19	3854416	1	O-ring		
20	3860059	1	Adapter		
21	3852089	1	O-ring		
22	3854695	1	Retainer		
23	3860214	1	Tube		
24	3862843	1	Oil dipstick		
25	3853419	1	Screw		
26	3852033	1	O-ring		
27	3851981	1	Sealing washer		
28	3855722	1	Fitting		
29	3853674	1	O-ring		
30	3852007	1	Washer		
31	3855721	1	Retainer		