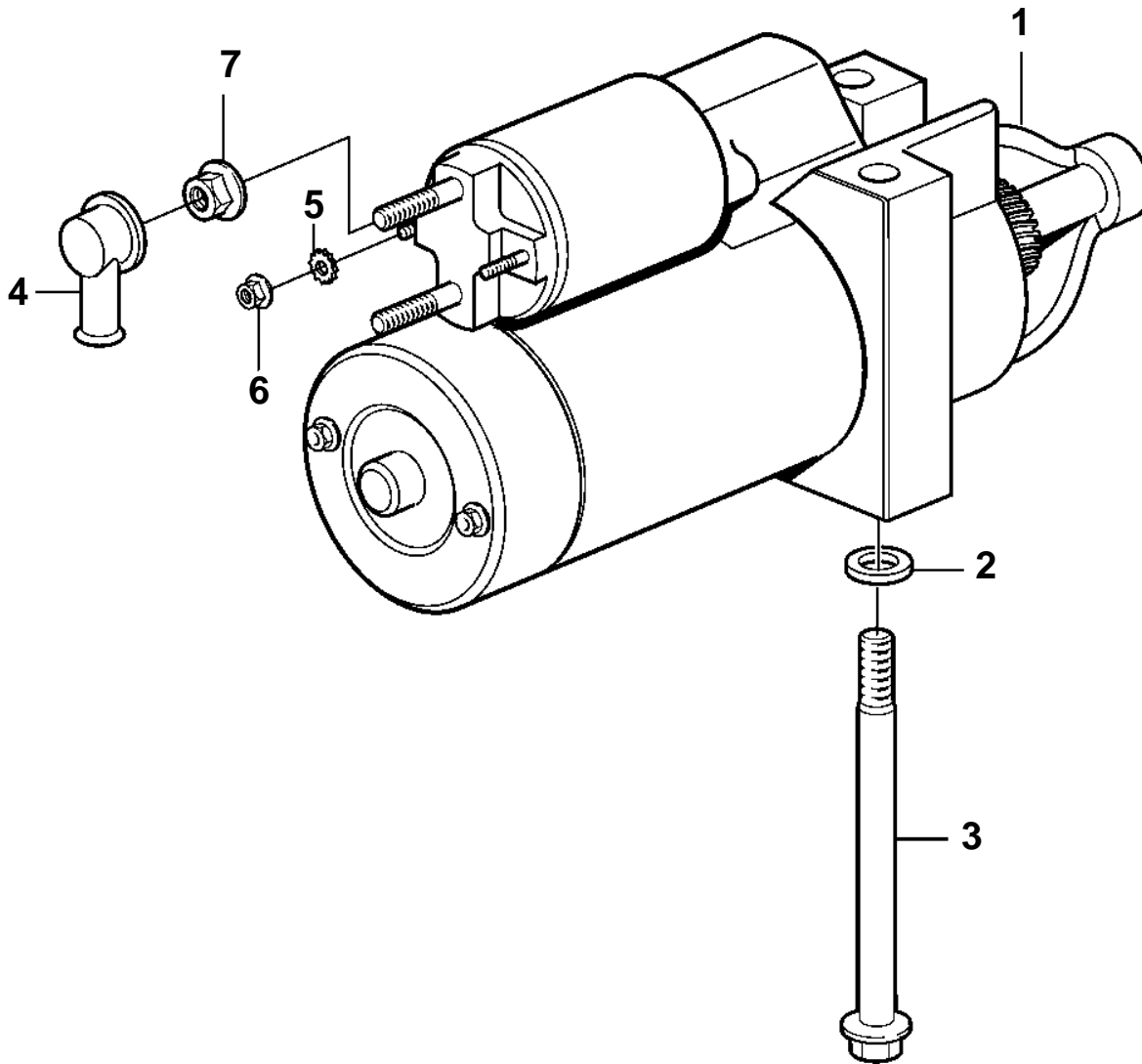


4.3GXi-B, 4.3GXi-BF, 4.3OSi-B, 4.3OSi-BF



4.3GXi-B, 4.3GXi-BF, 4.3OSi-B, 4.3OSi-BF

REF	PART NO.	QTY	DESCRIPTION
1	3860566	1	Starter motor
	3810300	1	· Solenoid kit
2	3854496	2	Washer
3	3857936	2	Screw
4	3852487	1	Protective cap
5	3852520	2	Washer
6	3852518	2	Nut
7	3853714	1	Nut