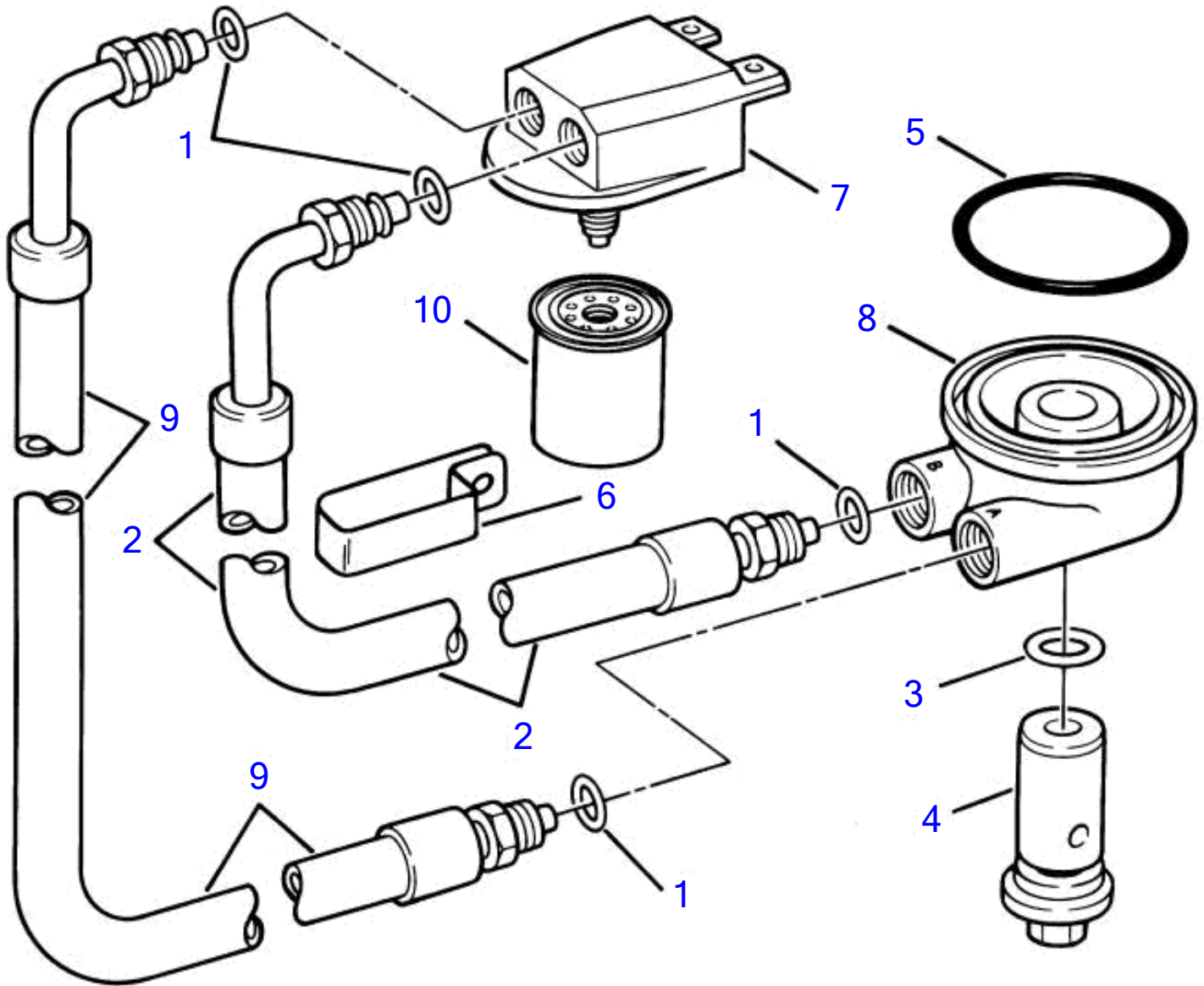


4.3GLPWTC, 4.3GLPWTR, 4.3GSPWTC, 4.3GSPWTR, 4.3GIPWTC, 4.3GIPWTR, 4.3GIJWTR, 4.3GSJWTR



4.3GLPWTC, 4.3GLPWTR, 4.3GSPWTC, 4.3GSPWTR, 4.3GIPWTC, 4.3GIPWTR, 4.3GIJWTR, 4.3GSJWTR

REF	PART NO.	QTY	DESCRIPTION	SEE SEC.	NOTES
1	3850883	1	Oil filter, 4.3 liter		
	3852011	4	• O-ring, oil hose		
2	(3854587)	1	• Hose, engine oil to filter		Obsolete part
3	3852089	1	• O-ring, adapter retainer		
4	3854695	1	• Retainer, adapter		
5	3854416	1	• O-ring, adapter to engine		
6	(3852837)	1	• Clamp, oil hoses to manifold		Obsolete part
7	(3850959)	1	• Cardboard tube, remote oil filter		Obsolete part
8	(3854589)	1	• Adapter, engine oil		Obsolete part
9	(3854588)	1	• Hose, engine oil from filter		Obsolete part
10	841750	1	• Oil filter		
			• Bulletin P-21-7-1	P-21-7-1-EN	Oil Filters, GM gas engines