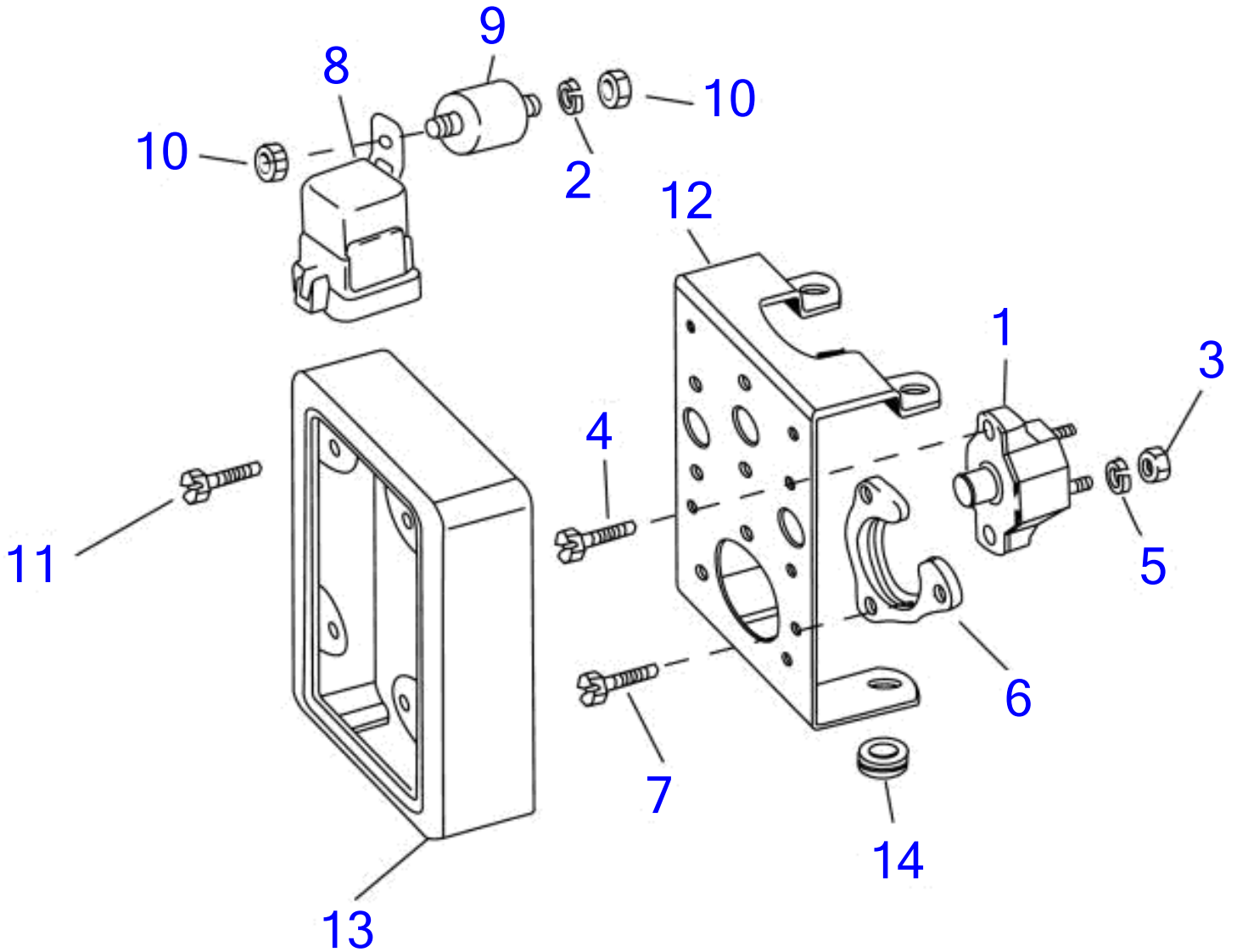


4.3GLPWTC, 4.3GLPWTR, 4.3GSPWTC, 4.3GSPWTR, 4.3GIPWTC, 4.3GIPWTR, 4.3GIJWTR, 4.3GSJWTR



4.3GLPWTC, 4.3GLPWTR, 4.3GSPWTC, 4.3GSPWTR, 4.3GIPWTC, 4.3GIPWTR, 4.3GIJWTR, 4.3GSJWTR

REF	PART NO.	QTY	DESCRIPTION	NOTES
1	3854186	1	Automatic fuse	60A
	3854282	2	Switch	12.5A
	3854164	1	Automatic fuse	50A
	3854163	1	Automatic fuse	20A
	3854238		Automatic fuse	6A
2	3852182	1	Washer	
3	(3852064)	8	Nut, circuit breaker terminals	Obsolete part
4	3853620	8	Hexagon screw	
5	(3852001)	8	Spring washer, circuit breaker terminals	Obsolete part
6	3852825	1	Retainer, engine cable	
7	3852208	3	Screw, retainer, engine cable end to bracket	
8	3854138	1	Relay, starter motor	
9	3850234	1	Rubber cushion, relay mounting	
10	3852118	1	Nut, relay to isolator	
11	(3855938)	4	Screw, circuit breaker and engine cable	Obsolete part
12	3856186	1	Bracket	
13	3856764	1	Cover, circuit breaker bracket	
14	941263	4	Grommet	