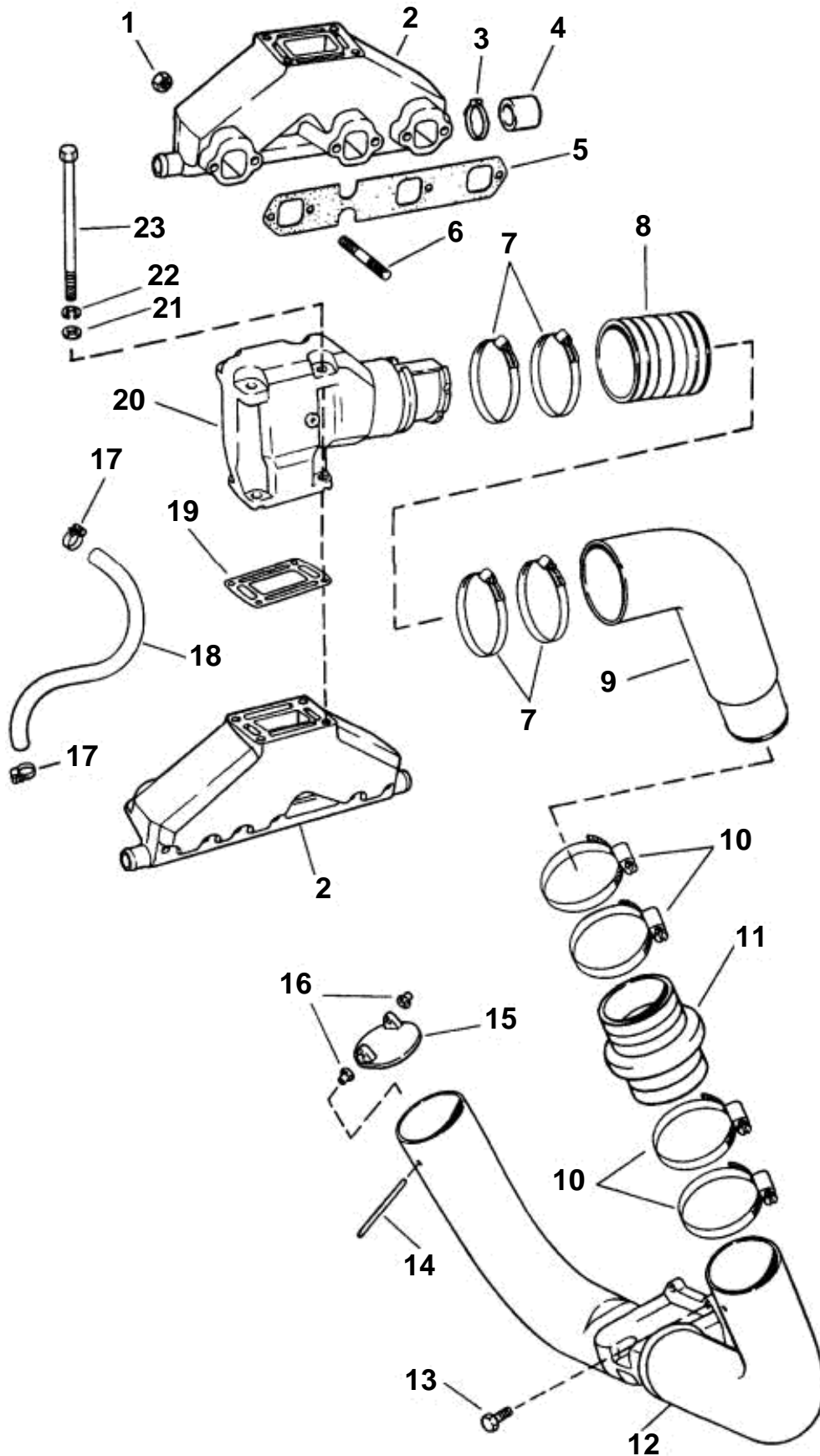


4.3GLPNCA, 4.3GLPNCB, 4.3GLPNCS, 4.3GSJNCC, 4.3GSJNCS, 4.3GSPNCA, 4.3GSPNCB, 4.3GSPNCM, 4.3GSPNCS, 4.3GIPNCA, 4.3GIPNCB, 4.3GIPNCM, 4.3GIPNCS



4.3GLPNCA, 4.3GLPNCB, 4.3GLPNCS, 4.3GSJNCC, 4.3GSJNCS, 4.3GSPNCA, 4.3GSPNCB, 4.3GSPNCM, 4.3GSPNCS,
4.3GIPNCA, 4.3GIPNCBCE, 4.3GIPNCMCE, 4.3GIPNCSCE

REF	PART NO.	QTY	DESCRIPTION	SEE SEC.	NOTES
1	3853404	12	Lock nut, Exhaust manifold to engine		
2	3852338	2	Exhaust pipe, Port & starboard		
3	3852602	2	Clamp, Cap to exhaust manifold		
4	3852476	2	Cap, Exhaust manifold		
5	3853412	2	Gasket, Exhaust manifold to engine		
6	3852467	12	Stud, Exhaust manifold to engine		
7	3853860	8	Clamp, Hose, exhaust elbow to exhaust pipe		
8	3852696	2	Exhaust hose, Exhaust elbow to exhaust pipe		
9	3855086	2	Exhaust pipe		290 DP
	3854874	2	Exhaust pipe		SX, DP-S
10	3853791	8	Clamp, Hose, exhaust pipe upper to lower		
11	3852741	2	Hose, Upper exhaust pipe to exhaust pipe		Not for PJX
12	3851000	1	Exhaust pipe		290 DP
	3855281	1	Exhaust pipe		SX, DP-S
13	3855472	4	Flange screw, Exhaust pipe to gimbal hsg		SX, DP-S
14		2	Pin, Exhaust seal assy to exhaust pipe		SX, DP-S
15		2	Seal, Exhaust pipe		SX, DP-S
			· Bulletin P-25-1-2	P-25-1-2-EN	Exhaust Seal Obsolete
16		4	Bushing, Exhaust seal assy to exhaust pipe		SX, DP-S
17	3853780	2	Clamp, Hose to thermostat hsg		
18	3852746	1	Hose, Thermostat hsg to manifold		Cut to length
19	3850496	2	Gasket, Exhaust elbow to manifold		
			· Bulletin P-25-1-1	P-25-1-1-EN	Riser Gasket Replaced
20	3855270	2	Exhaust pipe		
	3850740	4	Plug		1/4"-18 NPTF, Not shown
21	3852058	8	Washer, Exhaust elbow to manifold		
22	3852002	8	Lock washer, Exhaust elbow to manifold		
23	3852830	8	Screw, Exhaust elbow to manifold		