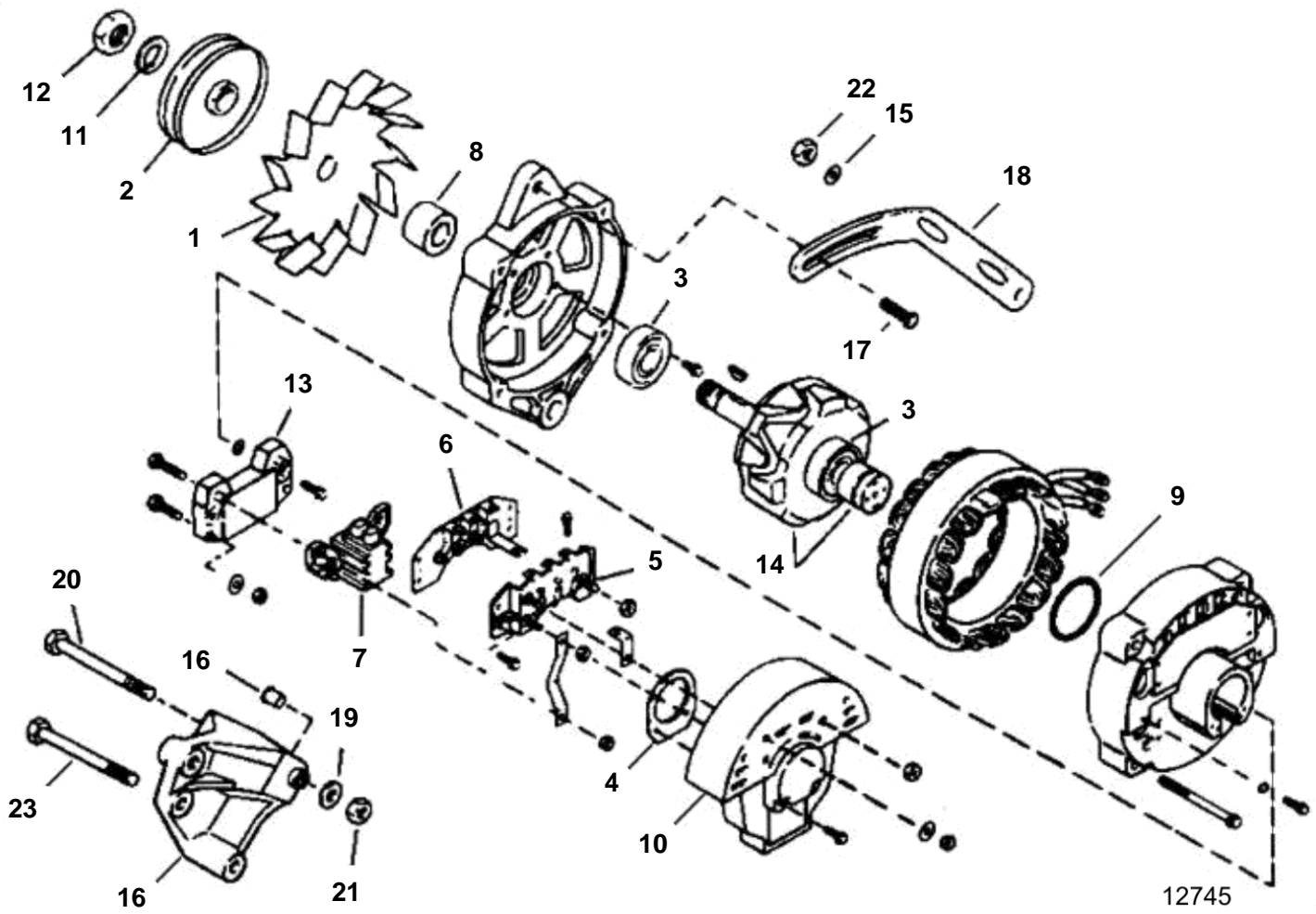


4.3GIPNCACE, 4.3GIPNCBCE, 4.3GIPNCMCE, 4.3GIPNCSCE



4.3GIPNCACE, 4.3GIPNCBCE, 4.3GIPNCMCE, 4.3GIPNCSCCE

REF	PART NO.	QTY	DESCRIPTION
1	3854809	1	Alternator
	3853756	1	· Fan
2	3853755	1	· Pulley
3	3852643	2	· Bearing
4	3852642	1	· Bearing carrier, Rear bearing
5		1	· Diode
6		1	· Diode bridge
7	3853835	1	· Brush retainer
8	3852639	1	· Spacer, Fan
9	3852637	1	· Gasket
10	3853834	1	Cover
11	3852625	1	· Lock washer, Pulley
12	3852630	1	· Nut, Pulley
13	3853833	1	· Regulator, Voltage
14		1	· Stator, Alternator bracket to engine
15	3852054	1	Washer, Brace to alternator
16	3853883	1	Bracket
17	3853396	1	· Screw, Brace to alternator
18	3852761	1	Brace, Alternator
19	3852058	1	Washer, Alternator to bracket
20	3853367	1	Screw, Alternator to bracket
21	3852051	2	Nut, Alternator to bracket
22	3853403	1	Nut, Stud, brace to water pump
23	3853547	2	Screw, Alternator bracket to engine