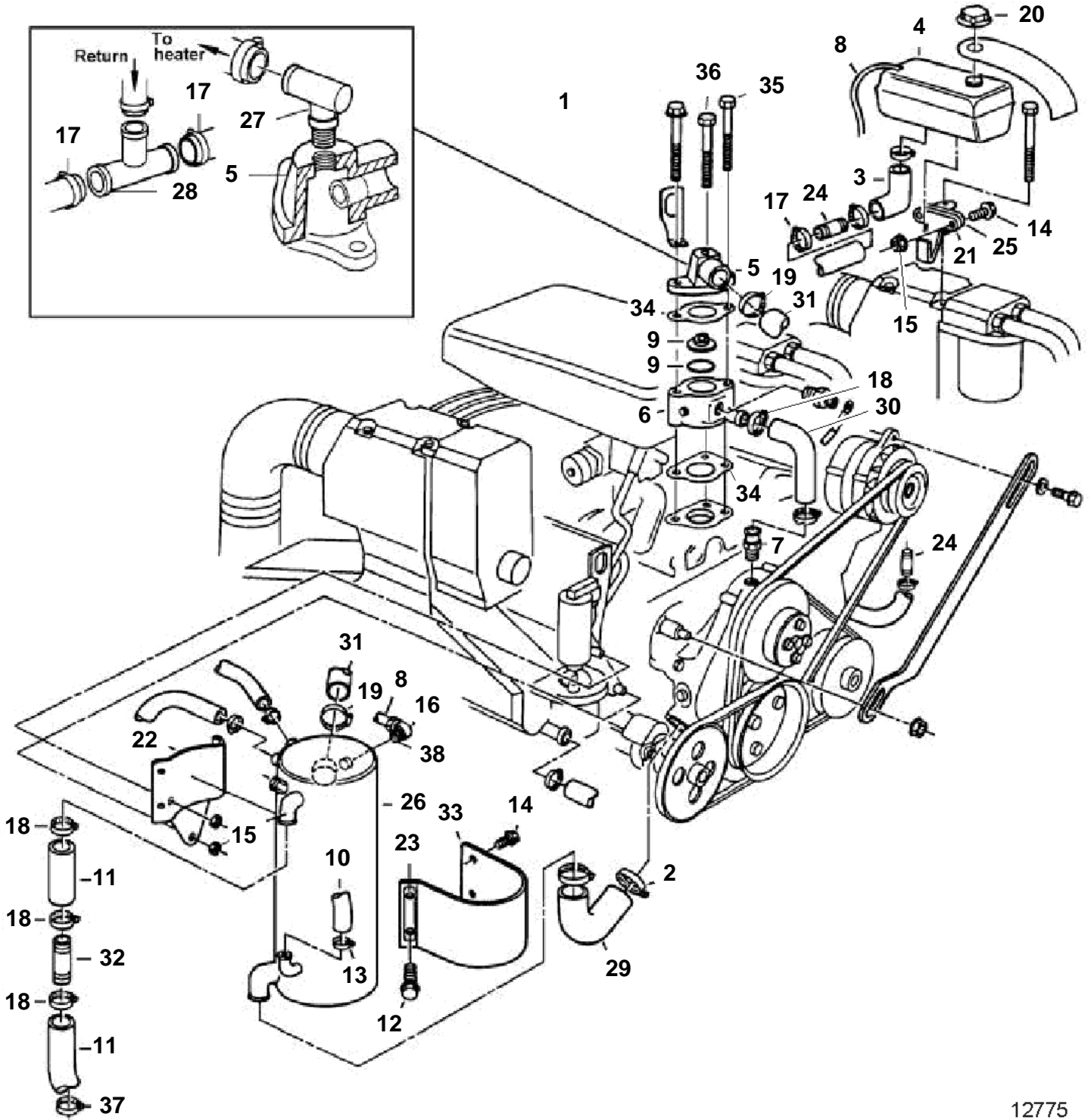


4.3GLPNCA, 4.3GLPNCB, 4.3GLPNCS, 4.3GSJNCC, 4.3GSJNCS, 4.3GSPNCA, 4.3GSPNCB, 4.3GSPNCM, 4.3GSPNCS, 4.3GIPNCA, 4.3GIPNCB, 4.3GIPNCM, 4.3GIPNCS



12775

4.3GLPNCA, 4.3GLPNCB, 4.3GLPNCS, 4.3GSJNCC, 4.3GSJNCS, 4.3GSPNCA, 4.3GSPNCB, 4.3GSPNCM, 4.3GSPNCS, 4.3GIPNCA, 4.3GIPNCB, 4.3GIPNCM, 4.3GIPNCS

| REF | PART NO. | QTY | DESCRIPTION | NOTES |
|-----|----------|-----|-----------------------------|---|
| 1 | 3851539 | 1 | Freshwater cool kit | 4.3 GL / GS / Gi, 5.7 GL / Gi |
| 2 | 961672 | 2 | · Hose clamp | |
| 3 | 857500 | 1 | · Hose | |
| 4 | 861105 | 1 | · Expansion tank | |
| 5 | 968145 | 1 | · · Plug | |
| | 968147 | 1 | · · Plug | |
| | 3851384 | 1 | · Thermostat housing | |
| 6 | 3851383 | 1 | · Thermostat housing, Lower | |
| | 479977 | 1 | · · Plug | |
| 7 | 943268 | 1 | · Hose nipple | |
| 8 | 942700 | 1 | · Hose | |
| 9 | 875788 | 1 | · Thermostat kit | |
| | 416033 | 1 | · · Sealing ring | |
| 10 | 943369 | 1 | · Hose | |
| 11 | 944386 | 1 | · Hose | |
| 12 | 945444 | 2 | · Flange screw | |
| 13 | 945652 | 2 | · Hose clamp | |
| 14 | 946173 | 4 | · Flange screw | |
| 15 | 948645 | 6 | · Lock nut | |
| 16 | 180254 | 1 | · Elbow nipple | |
| 17 | 961666 | 14 | · Hose clamp | |
| 18 | 961667 | 2 | · Hose clamp | |
| 19 | 961670 | 2 | · Hose clamp | |
| 20 | 1357775 | 1 | · Pressure cap | |
| 21 | 3851363 | 1 | · Bracket | |
| 22 | 3851393 | 1 | · Bracket | |
| 23 | 3851396 | 1 | · Bar | |
| 24 | 3851413 | 2 | · Connection pipe | |
| 25 | 3851530 | 1 | · Bracket | |
| 26 | 3851586 | 1 | · Heat exchanger | |
| | 192134 | 2 | · · Plug | |
| | 841063 | 1 | · · Zinc anod | |
| | 841068 | 2 | · · Screw | |
| | 841911 | 2 | · · Cover | |
| | 841912 | 2 | · · Rubber gasket | |
| | 861551 | 1 | · · Plug | |
| | 925054 | 2 | · · O-ring | |
| 27 | 961611 | 1 | · · Elbow nipple | |
| 28 | 3851414 | 1 | · · Connection pipe | |
| 29 | 3851591 | 1 | · Hose | |
| 30 | 3851592 | 1 | · Hose | |
| 31 | 3851762 | 1 | · Hose | |
| 32 | 3851594 | 1 | · Connection pipe | |
| 33 | 3851395 | 1 | · Bracket | |
| 34 | 3852111 | 2 | · Gasket | |
| 35 | 3853391 | 1 | · Screw | |
| 36 | 3853401 | 2 | · Screw | |
| 37 | 961669 | 2 | · Hose clamp | |
| 38 | 3851598 | 1 | · Fitting | |
| | 943367 | 1 | · Hose, To vapor separator | See no. 23, FWC installation instructions (P/N 7736034) |
| | 961663 | 2 | · Clamp | See no. 23, FWC installation instructions (P/N 7736034) |
| | 3853598 | 1 | · Elbow | See no. 23, FWC installation instructions (P/N 7736034) |