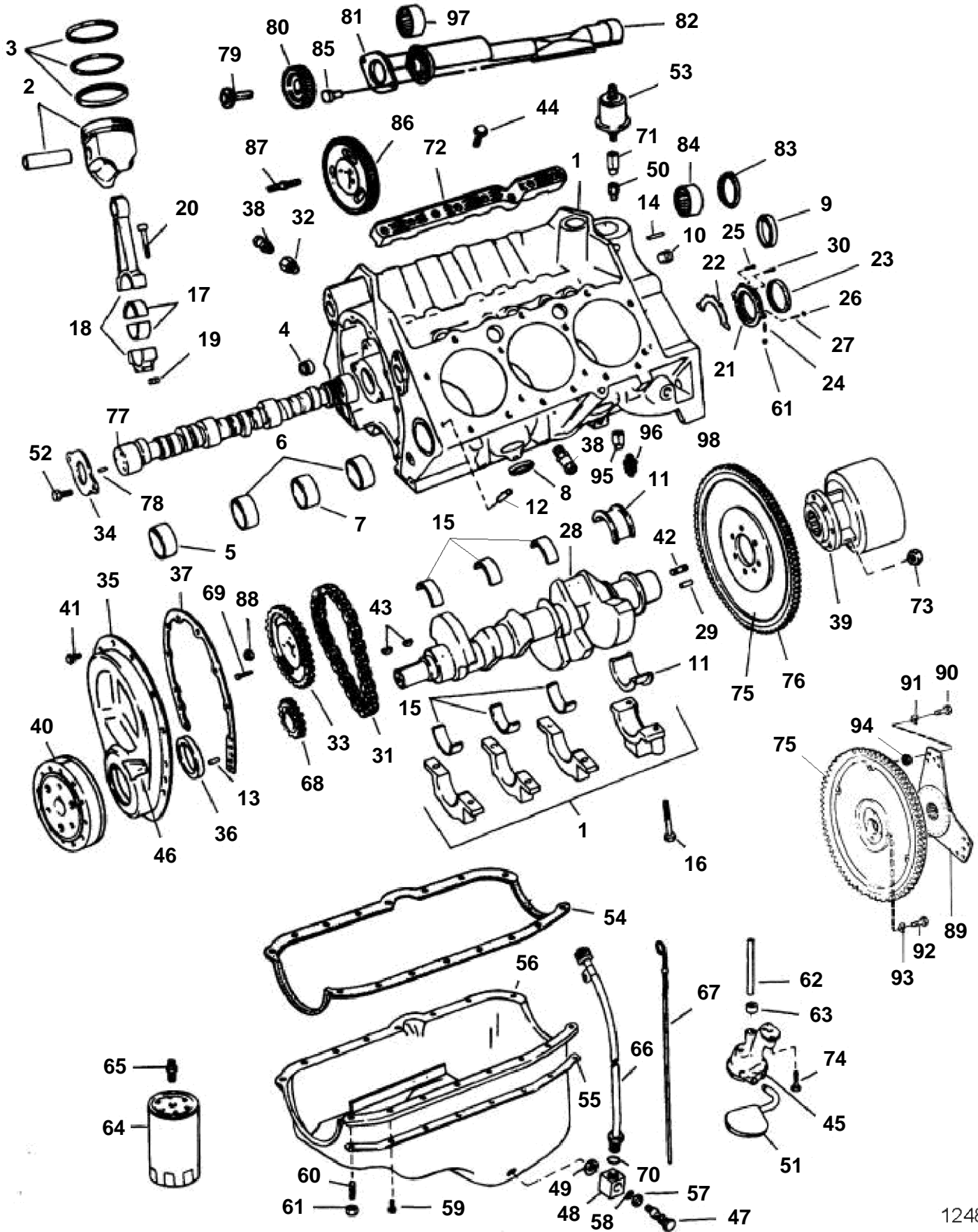


4.3GLPHUB, 4.3GSPHUB, 4.3GSPHUS, 4.3GIPHUSCE



12482

4.3GLPHUB, 4.3GSPHUB, 4.3GSPHUS, 4.3GIPHUSCE

| REF | PART NO. | QTY | DESCRIPTION | SEE SEC. | NOTES |
|-----|----------|-----|---|--------------|-----------------------------------|
| 1 | 3850708 | 1 | Longblock | | |
| | | | · Bulletin P-21-0-12 | P-21-0-12-EN | Longblock Guidelines, 4.3GL |
| | | | · Bulletin P-21-0-16 | P-21-0-16-EN | Longblock Guidelines, 4.3GL/GS/GI |
| 2 | 3850384 | 6 | Piston, Standard | | |
| | 3850382 | 6 | Piston, 0.030 in. OS | | |
| 3 | 3854957 | 6 | Piston ring kit, Standard | | |
| | | 6 | Piston ring kit, 0.030 in. OS | | |
| 4 | 3853208 | 1 | Cap plug, Oil gallery, starboard | | |
| | 3853208 | 1 | Cap plug, Oil gallery, port | | |
| 5 | 3853210 | 1 | Camshaft bearing, Camshaft, #1 | | |
| 6 | 3853211 | 2 | Camshaft bearing, Camshaft, #2, #4 | | |
| 7 | 3853212 | 1 | Camshaft bearing, Camshaft, #3 | | |
| 8 | 3852100 | 8 | Core plug, Water jacket | | |
| 9 | 3853209 | 1 | Core plug, Camshaft bearing., rear | | |
| 10 | 3852471 | 5 | Plug, Oil gallery | | |
| 11 | 3853221 | 1 | Thrust bearing, Standard | | |
| | 3853224 | 1 | Thrust bearing, 0.010 in. U.S | | |
| | 3853225 | 1 | Thrust bearing, 0.020 in. U.S | | |
| 12 | 3853114 | 8 | Locating pin, Cylinder head | | |
| 13 | 3853213 | 4 | Pin, Front cover & bearing cap | | |
| 14 | | 2 | Locating pin, Trans line-up | | |
| 15 | 3853215 | 3 | Main bearing, #1, 2, 3, standard | | |
| | 3853218 | 3 | Main bearing, #1, 2, 3, 0.010 in. U.S | | |
| | 3853220 | 3 | Main bearing, #1, 2, 3, 0.020 in. U.S | | |
| 16 | 3853214 | 8 | Screw, Crankshaft, bearing cap | | |
| 17 | 3854955 | 6 | Big end bearing kit, Rod, standard | | |
| | | | · Bulletin P-21-6-2 | P-21-6-2-EN | Rod Bearings, 4.3L |
| 18 | 3854173 | 6 | Connecting rod | | |
| 19 | 3853148 | 12 | · Nut, Rod bott | | |
| 20 | 3853179 | 12 | · Screw, Connecting rod | | |
| 21 | 3853201 | 1 | Housing, Crankshaft seal | | |
| 22 | 3852656 | 1 | Gasket, Seal retainer | | |
| 23 | 3852657 | 1 | Seal, Crankshaft, rear | | |
| 24 | 3853202 | 2 | Stud, Oil pan, rear | | |
| 25 | 3853204 | 1 | Screw, Seal retainer | | |
| 26 | 3853206 | 1 | Nut, Rear seal retainer | | |
| 27 | 3853205 | 1 | Stud, Rear seal retainer | | |
| 28 | 3853180 | 1 | Crankshaft | | |
| 29 | 3853200 | 1 | · Pin, Flywheel | | |
| 30 | 3853203 | 2 | Screw, Seal retainer | | |
| 31 | 3852685 | 1 | Chain, Camshaft | | |
| 32 | 3852489 | 1 | Adapter, Water drain, starboard | | |
| 33 | 3854319 | 1 | Sprocket, Camshaft | | |
| 34 | 3854329 | 1 | Retainer, Camshaft | | |
| 35 | | 1 | Timing gear casing, Crankcase front enl | | |
| 36 | 3853341 | 1 | Seal, Front cover | | |
| 37 | 3854324 | 1 | Gasket, Front cover | | |
| 38 | 3854494 | 2 | Drain cock, Water drain | | |
| 39 | 3853917 | 1 | Rubber coupling | | |
| 40 | 3854326 | 1 | Vibration damper | | |
| 41 | 3852441 | 10 | Screw | | |
| 42 | 3853274 | 6 | Stud, Flywheel, cplr to c'shaft (SX) | | |
| 43 | 3853648 | 2 | Woodruff key, Crankshaft | | |
| 44 | 3850376 | 4 | Screw, Valve lifter guide | | |
| 45 | 3854950 | 1 | Oil pump | | |
| 46 | 3853195 | 1 | Turn signal, timing | | |
| 47 | 3852694 | 1 | Hollow screw, Oil an drain | | |
| 48 | 3855112 | 1 | Fitting, Oil pan drain | | |
| 49 | 3851981 | 1 | Sealing washer, Fitting to oil pan | | |
| 50 | 3852968 | 1 | Fitting, Oil sender | | |
| 51 | 3854951 | 1 | Oil pump screen | | |
| 52 | 3854323 | 2 | Screw, Camshaft retainer | | |
| 53 | 3853800 | 1 | Oil pressure sensor, Oil pressure | | |

4.3GLPHUB, 4.3GSPHUB, 4.3GSPHUS, 4.3GIPHUSCE

| REF | PART NO. | QTY | DESCRIPTION | SEE SEC. | NOTES |
|-----|----------|-----|-----------------------------------|-------------|-----------------------------|
| 53 | 872064 | 1 | Sender, Oil psi, Dual sta | | |
| 54 | 3852655 | 1 | Gasket, Oil pan | | |
| 55 | 3853178 | 1 | Reinforcement, Starboard | | |
| | 3853177 | 1 | Reinforcement, Port | | |
| 56 | 3853841 | 1 | Oil pan | | |
| 57 | 3852007 | 1 | Washer, Retainer to fitting | | |
| 58 | 3853674 | 1 | O-ring, Retainer | | |
| 59 | 3852595 | 12 | Screw, Oil pan | | |
| 60 | 3853202 | 2 | Stud, Oil pan, front | | |
| 61 | 3853168 | 4 | Nut, Oil pan | | |
| 62 | 3853198 | 1 | Shaft, Distributor to oil pump | | |
| 63 | 3853199 | 1 | Retainer, Distributor to oil pump | | |
| 64 | 841750 | 1 | Oil filter | | |
| | | | - Bulletin P-21-7-1 | P-21-7-1-EN | Oil Filters, GM gas engines |
| 65 | 3853174 | 1 | Fitting, Oil filter | | |
| 66 | 3854179 | 1 | Tube, Oil drain | | |
| 67 | 3850473 | 1 | Oil dipstick, Oil level | | |
| 68 | 3852690 | 1 | Sprocket, Crankshaft | | |
| 69 | | 3 | Screw, Camshaft sprocket | | |
| 70 | 3852033 | 1 | O-ring, Oil drain tube | | |
| 71 | 3852503 | 1 | Elbow, Oil pressure switch | | |
| 72 | 3850377 | 6 | Guide, Lifter | | |
| 73 | 3853273 | 6 | Lock nut, Flywheel & coupler (SX) | | |
| 74 | 3853234 | 2 | Screw, Pump to block | | |
| 75 | 3854325 | 1 | Flywheel | | |
| 76 | 3853207 | 1 | Gear ring, Flywheel | | |
| 77 | 3854328 | 1 | Camshaft | | |
| 78 | 3853213 | 1 | Pin, Camshaft gear | | |
| 79 | 3854320 | 2 | Screw, Balancer gear | | |
| 80 | 3854318 | 1 | Drive gear, Balancer shaft | | |
| 81 | 3854317 | 1 | Retainer, Balancer shaft | | |
| 82 | 3854316 | 1 | Shaft | | |
| 83 | 3853209 | 1 | Core plug, Balancer shaft | | |
| 84 | 3854315 | 1 | Bearing bushing, Balancer shaft | | |
| 85 | 3853172 | 2 | Screw, Balancer retainer | | |
| 86 | 3854314 | 1 | Drive gear, Drive | | |
| 87 | 3854313 | 2 | Stud, Camshaft sprocket | | |
| 88 | 3853168 | 2 | Nut, Camshaft sprocket stud | | |
| 89 | 855656 | 1 | Vibration damper, Flywheel (DP) | | |
| 90 | 835482 | 3 | Screw, Damper (DP) | | |
| 91 | 942336 | 3 | Spring washer | | |
| 92 | 835439 | 6 | Screw, Flywheel (DP) | | |
| 93 | 941909 | 6 | Spring washer | | |
| 94 | 940097 | 3 | Washer | | |
| 95 | 3850660 | 1 | Fitting, Oil pressure switch, Gi | | |
| 96 | 3852215 | 1 | Sender, Oil pressure, Gi | | |
| 97 | 3850519 | 1 | Bearing, Bal. Sht, Forward | | |
| 98 | 3850490 | 1 | Fitting, Drain, knock sensor, Gi | | Not shown |