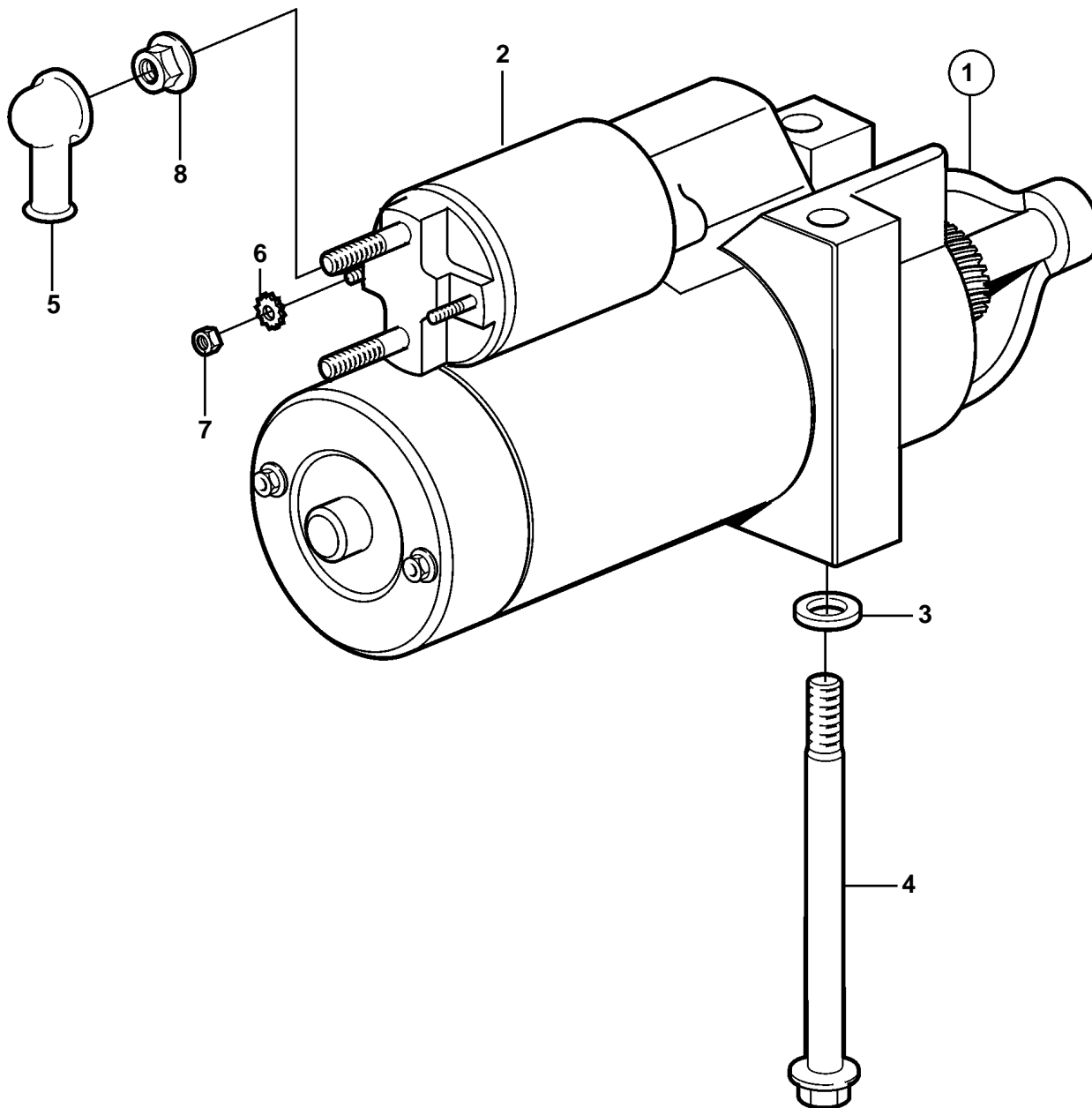


4.3GLPHUB, 4.3GSPHUB, 4.3GSPHUS, 4.3GIPHUSCE



**4.3GLPHUB, 4.3GSPHUB, 4.3GSPHUS, 4.3GIPHUSCE**

REF	PART NO.	QTY	DESCRIPTION
1	3854751	1	Starter motor, Engine
2	3850216	1	· Solenoid
3	3854496	2	· Washer
4	3854752	2	· Screw, Starter motor to engine
5	3852487	1	· Protective cap, Battery cable
6	3852520	2	· Washer
7	3852518	2	· Nut, Starter solenoid
8	3853714	1	· Nut, Battery cable to starter solenoid