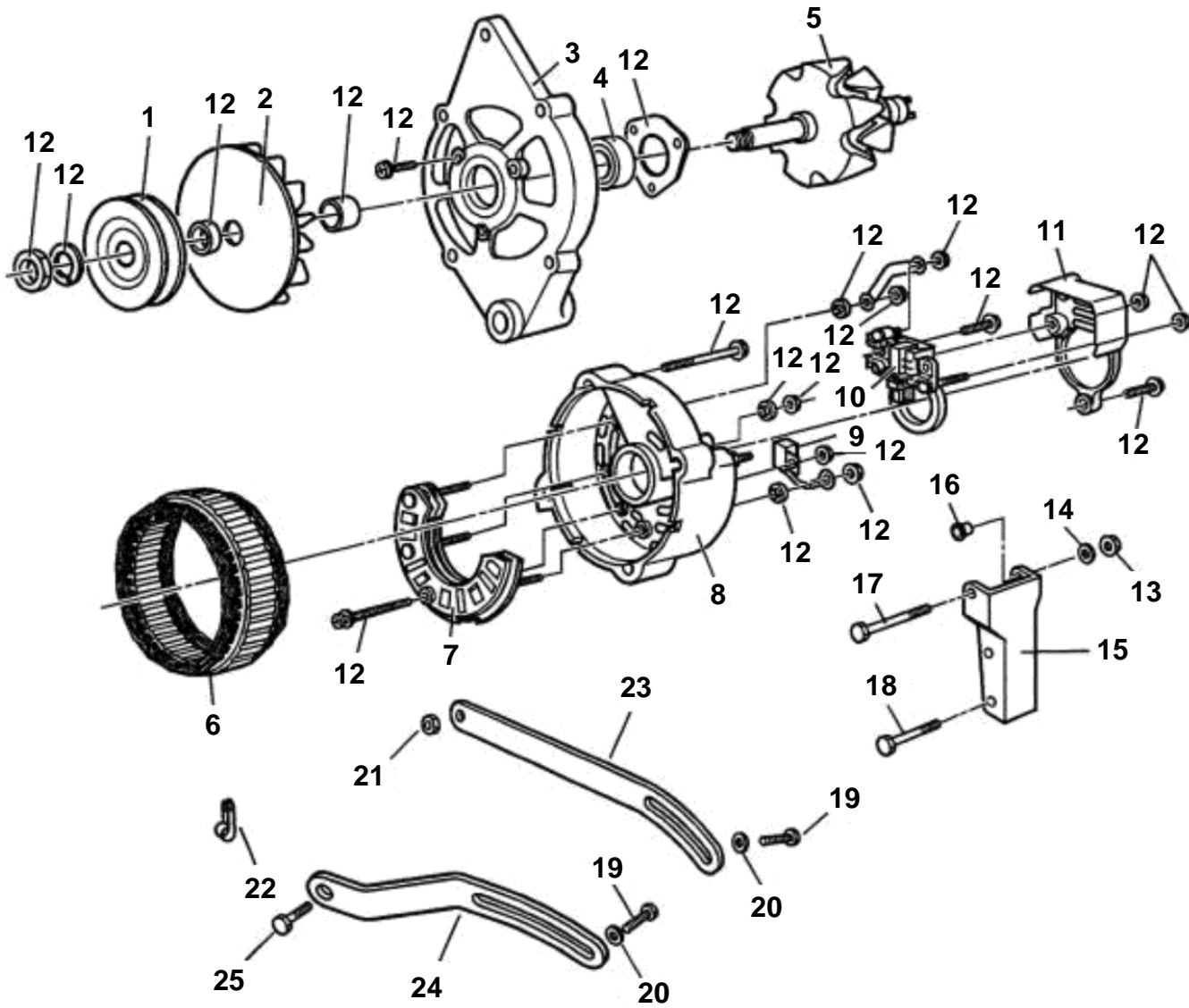


4.3GLPBYC, 4.3GSPBYC, 4.3GIPBYCCE, 4.3GSJBYA, 4.3GIJBYA



12213

4.3GLPBYC, 4.3GSPBYC, 4.3GIPBYCCE, 4.3GSJBYA, 4.3GIJBYA

REF	PART NO.	QTY	DESCRIPTION	NOTES
1	3857561	1	Alternator kit	
		1	Alternator	
	3857058	1	· Pulley	
2	3857059	1	· Fan	
3	3857060	1	· Bracket	
4	3857061	1	· Bearing	
5		1	· Rotor	
6		1	· Stator	
7	3857065	1	· Rectifier	
8	3857064	1	· Bracket	
9	3857066	1	· Condenser kit	
10	3857067	1	· Regulator	
11	3857068	1	· Cover	
12	3857245	1	· Screw kit	
13	3852051	1	Nut, Alternator to bracket	
14	3852058	1	Washer, Alternator to bracket	Rear; SX, DP-S
	3852058	2	Washer, Spacer, alt. bracket to head	PJX
15	3853883	1	Bracket, Alternator	SX, DP-S
	3853884	1	Bracket, Alternator	PJX
16	3852740	1	· Bushing	
17	3853367	1	Screw, Alternator to bracket	
18	3853547	2	Screw, Alternator bracket to engine	SX, DP-S
	3853557	1	Screw, Alternator bracket to engine	PJX
19	3853399	1	Screw, Alternator brace to alternator	
20	3852054	1	Washer, Brace to alternator	
21	3853403	1	Nut, Stud, alternator brace to water pump	
22	3852092	1	Clamp	
23	3855600	1	Brace	SX, D P-S
24	3850460	1	Brace	PJX
25	3853557	1	Screw, Alternator brace to engine	PJX
	3852058	1	Washer, Spacer, alternator bracket	PJX; not shown