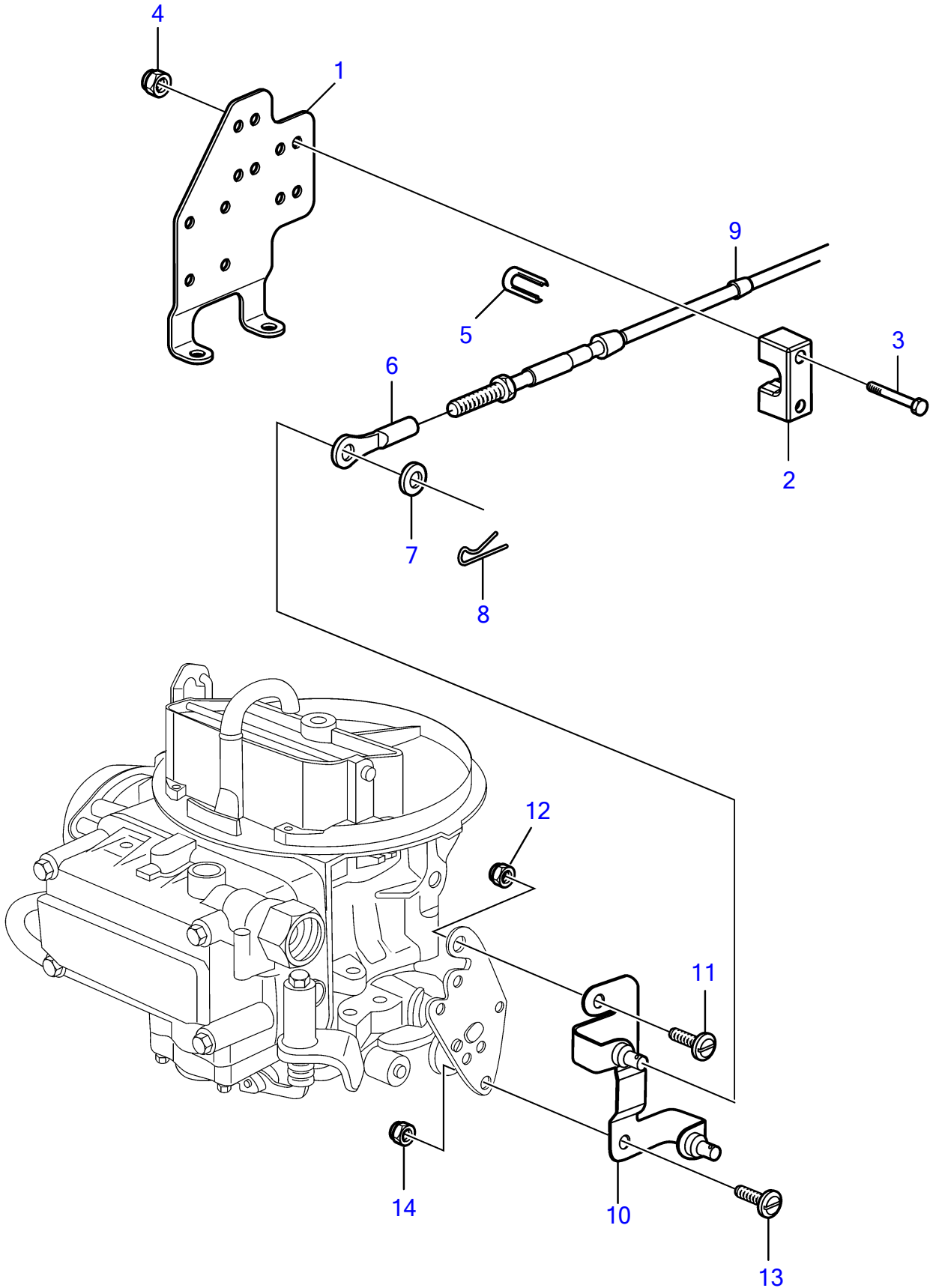


4.3GL-P



4.3GL-P

REF	PART NO.	QTY	DESCRIPTION	NOTES
1	3860811	1	Bracket	
2	3850266	1	Anchor	
3	(3852048)	1	Screw	Obsolete part
4	3852118	1	Nut	
5	3852019	1	Retainer	
6	3850941	1	Adapter	
7	3852193	1	Washer	
8	3852052	1	Split pin	
9		X	Cable	
10	3850232	1	Intermediate lever	
11	(3852154)	1	Screw	Obsolete part
12	3852118	1	Nut	
13	(3852154)	1	Screw	Obsolete part
14	3852118	1	Nut	