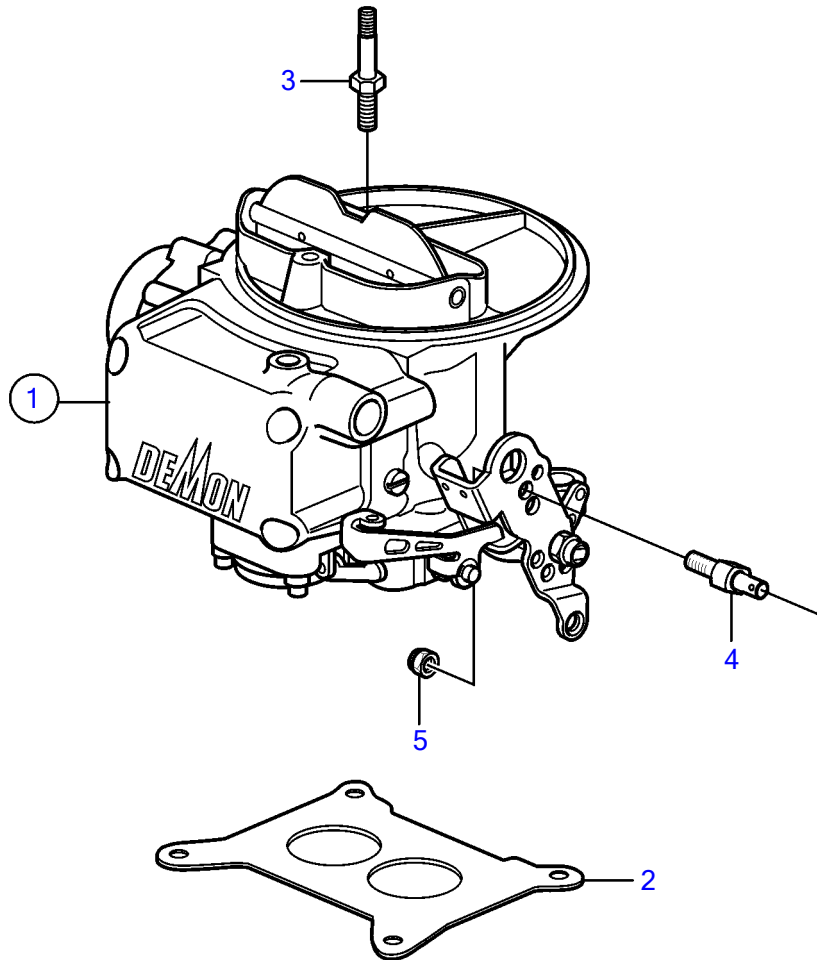
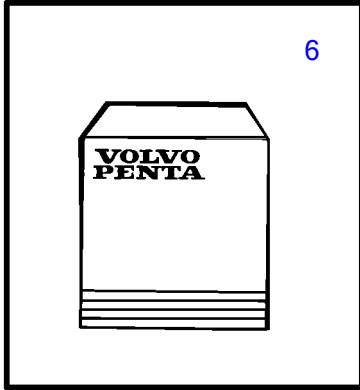


4.3GL-P



4.3GL-P

REF	PART NO.	QTY	DESCRIPTION	NOTES
1		1	Carburetor	see Carburettor Mounting page
2	3853283	1	• Gasket	
3	21235910	1	• Pin	
4	21237698	1	• Pin	
5	3852118	1	• Nut	
6		1	Repair kit	discontinued by the supplier