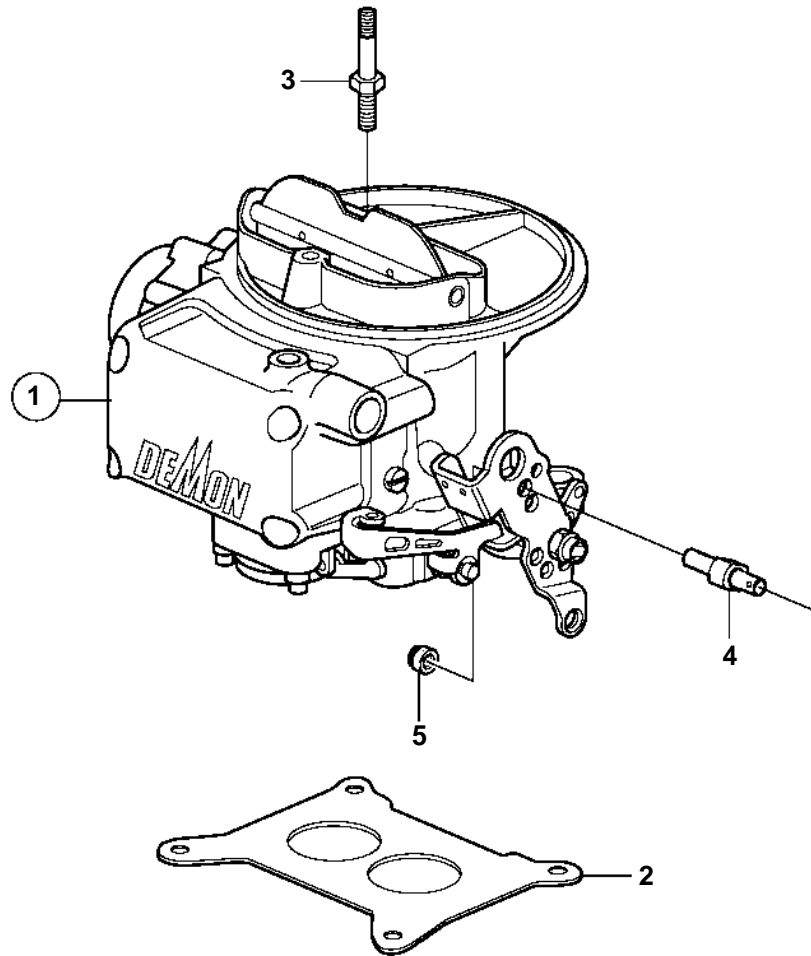
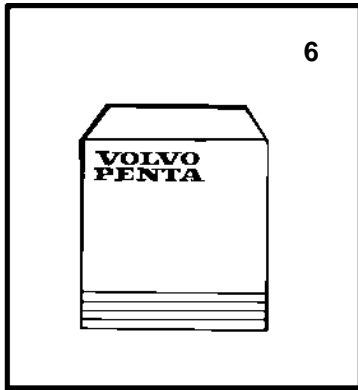


4.3GL-J, 4.3GL-JF



4.3GL-J, 4.3GL-JF

REF	PART NO.	QTY	DESCRIPTION
1	21211939	1	Carburetor
2	3853283	1	• Gasket
3	21235910	1	• Pin
4	21237698	1	• Pin
5	3852118	1	• Nut
6		1	Repair kit