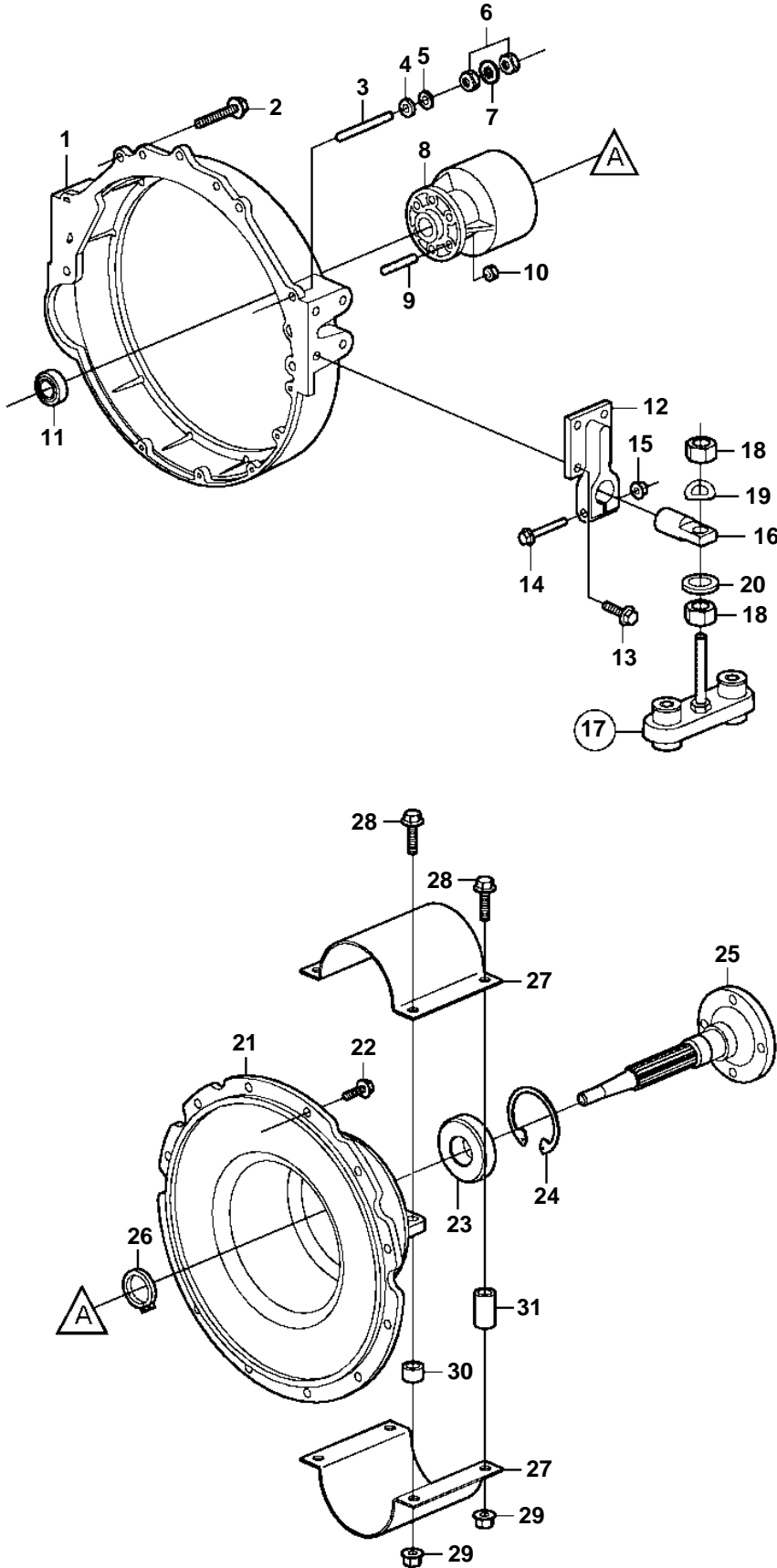


4.3GL-J, 4.3GL-JF



4.3GL-J, 4.3GL-JF

REF	PART NO.	QTY	DESCRIPTION	NOTES
1	3851722	1	Flywheel housing	
2	947790	4	Flange screw	
3	3862493	2	Stud	
4	980933	2	Washer	
5	3852046	2	Spring washer	
6	971074	6	Hexagon nut	
7	982679	4	Toothed washer	
8	3858437	1	Rubber coupling	
9	3853274	6	Stud	
10	3853273	6	Nut	
11	3858846	1	Bearing	
12		2	Bracket	Part not sold
13	965187	8	Flange screw	
14	965222	2	Flange screw	
15	971098	2	Flange lock nut	
16		2	Stub axle	Part not sold
17	3807621	2	Anchorage	
18	955860	4	Hexagon nut	
19	941914	2	Spring washer	
20	955902	2	Washer	
21	3851727	1	Bearing housing	
22	946752	11	Flange screw	
23	181877	1	Ball bearing	
24	914540	1	Snap ring	
25	3851724	1	Adapter kit	
26	914465	1	Snap ring	
27		2	Cover	Part not sold
28	948039	4	Flange screw	L=65mm
29	977938	4	Flange lock nut	
30	983740	8	Spacer sleeve	L=10mm
31	983741	4	Spacer sleeve	L=33mm