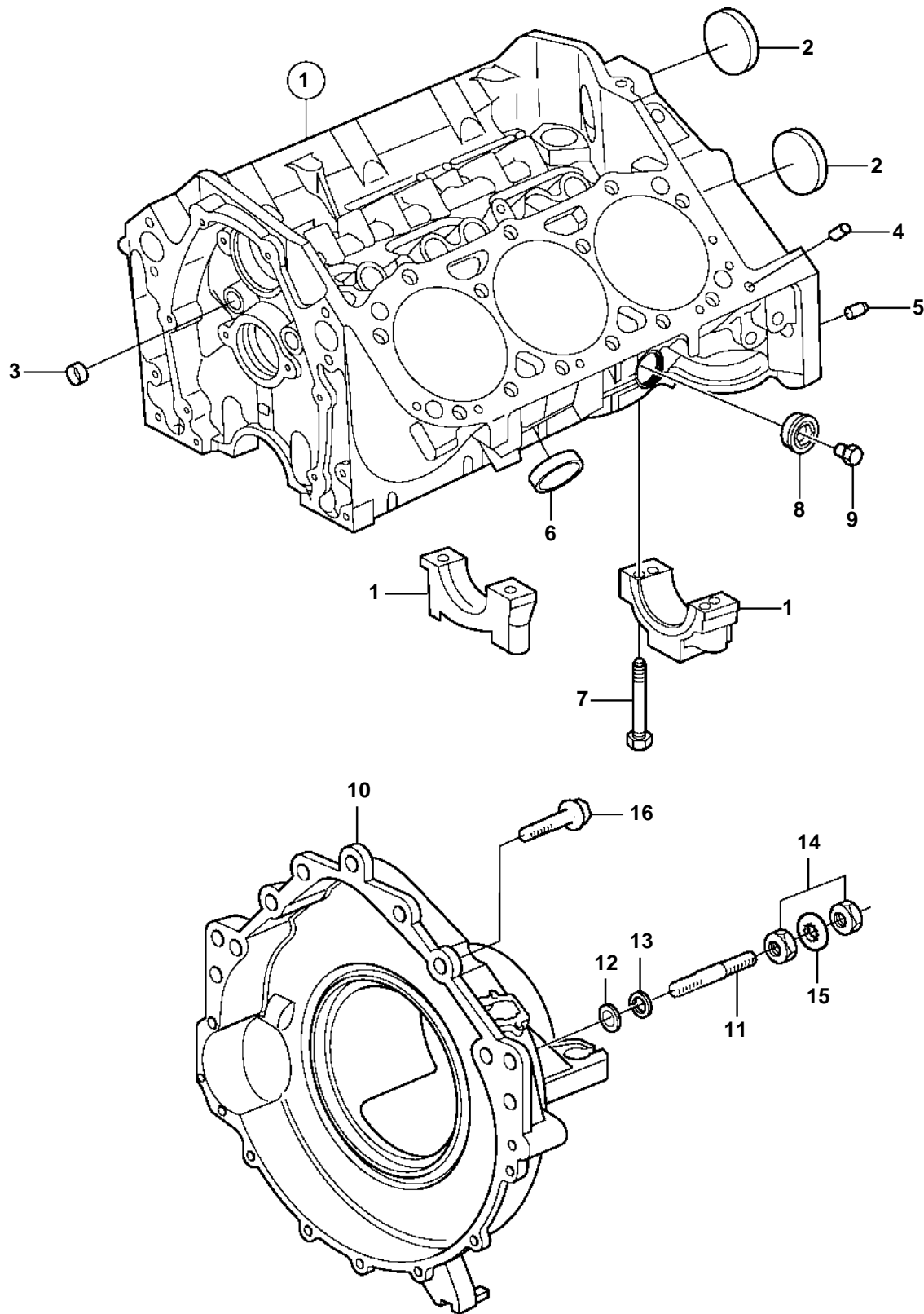


4.3GL-JF



4.3GL-JF

REF	PART NO.	QTY	DESCRIPTION	NOTES
1		1	Cylinder block	
2	3853209	2	· Core plug	
3	3853208	2	· Cap plug	
4	3853114	4	· Locating pin	
5	3856001	2	· Pin	
6	3852100	8	· Core plug	
7	3862355	10	· Bolt	
8	3593585	1	Plug	Port
9	3850802	2	Plug	
10	3808573	1	Flywheel housing	
11	3857937	2	Stud	
12	980933	2	Washer	
13	3852046	2	Spring washer	
14	971074	6	Hexagon nut	
15	982679	4	Toothed washer	
16	965222	2	Flange screw	L=65mm
	946472	2	Flange screw	L=30mm