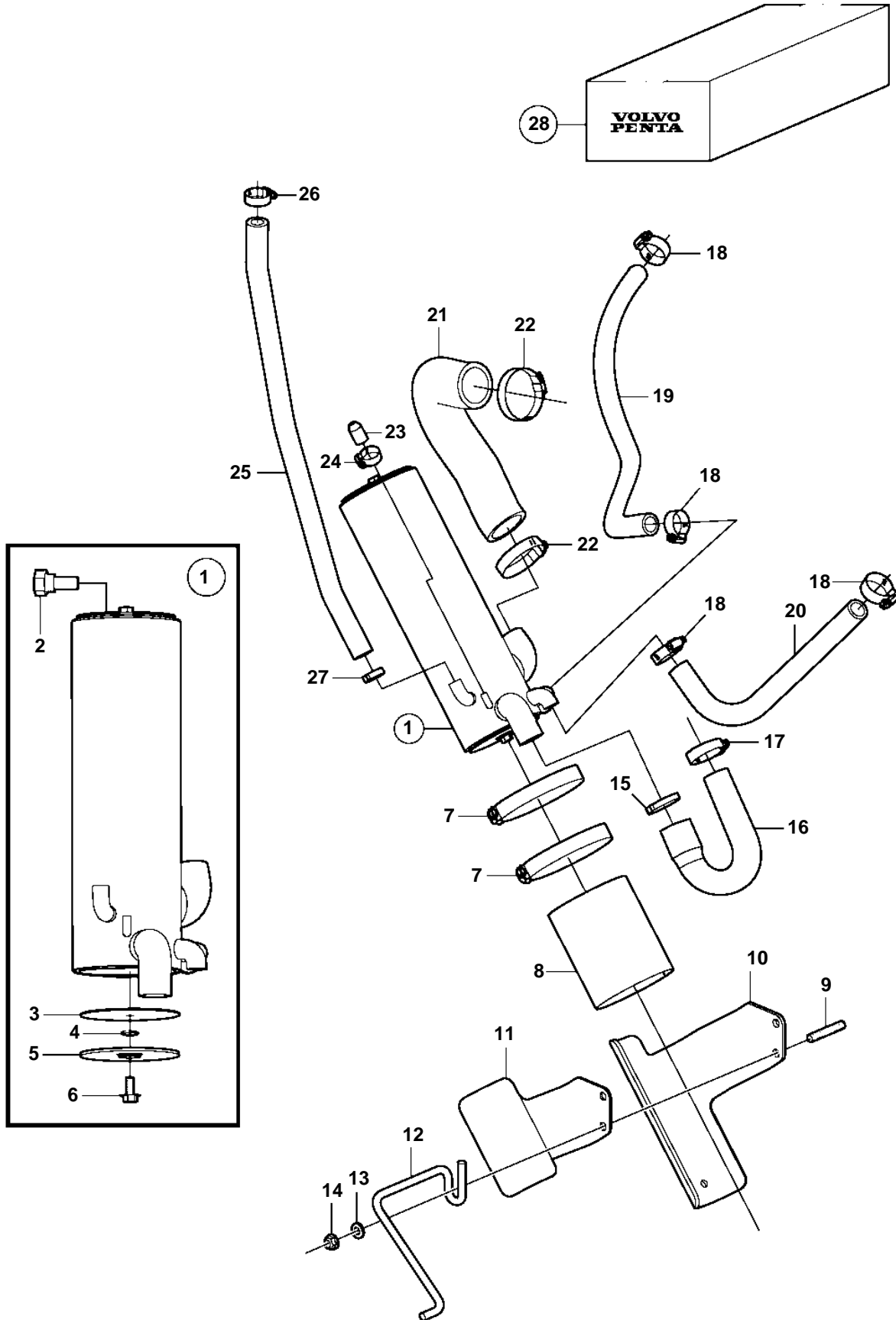


4.3GL-JF



## 4.3GL-JF

REF	PART NO.	QTY	DESCRIPTION	NOTES
1	3861471	1	Heat exchanger	
2	3858995	1	· Anode	
3	3858993	2	· Gasket	
4	983191	2	· O-ring	
5	3858992	2	· Cover	
6	3858994	2	· Screw	
7	3863443	2	Hose clamp, screw	
8	3861453	1	Gasket	
9	941814	2	Stud	
10	3595466	1	Bracket	
11	3595468	1	Bracket	
12	3595470	1	Bracket	
13	980933	1	Washer	
14	3857181	2	Flange lock nut	
15	982717	1	Clamp	
16	3817818	1	Hose	
17	3863441	1	Hose clamp	
18	3812303	4	Hose clamp	
19	3860588	1	Hose	Starboard exhaust manifold
20	3594640	1	Hose	Port exhaust manifold
21	3861472	1	Hose	
22	3863438	2	Hose clamp	
23	3852082	1	Cardboard tube	
24	3860413	1	Hose clamp	
25	3861485	1	Hose	Expansion tank
26	3812303	1	Hose clamp	
27	982967	1	Clamp	
28	40005807	1	Fresh water cooling	