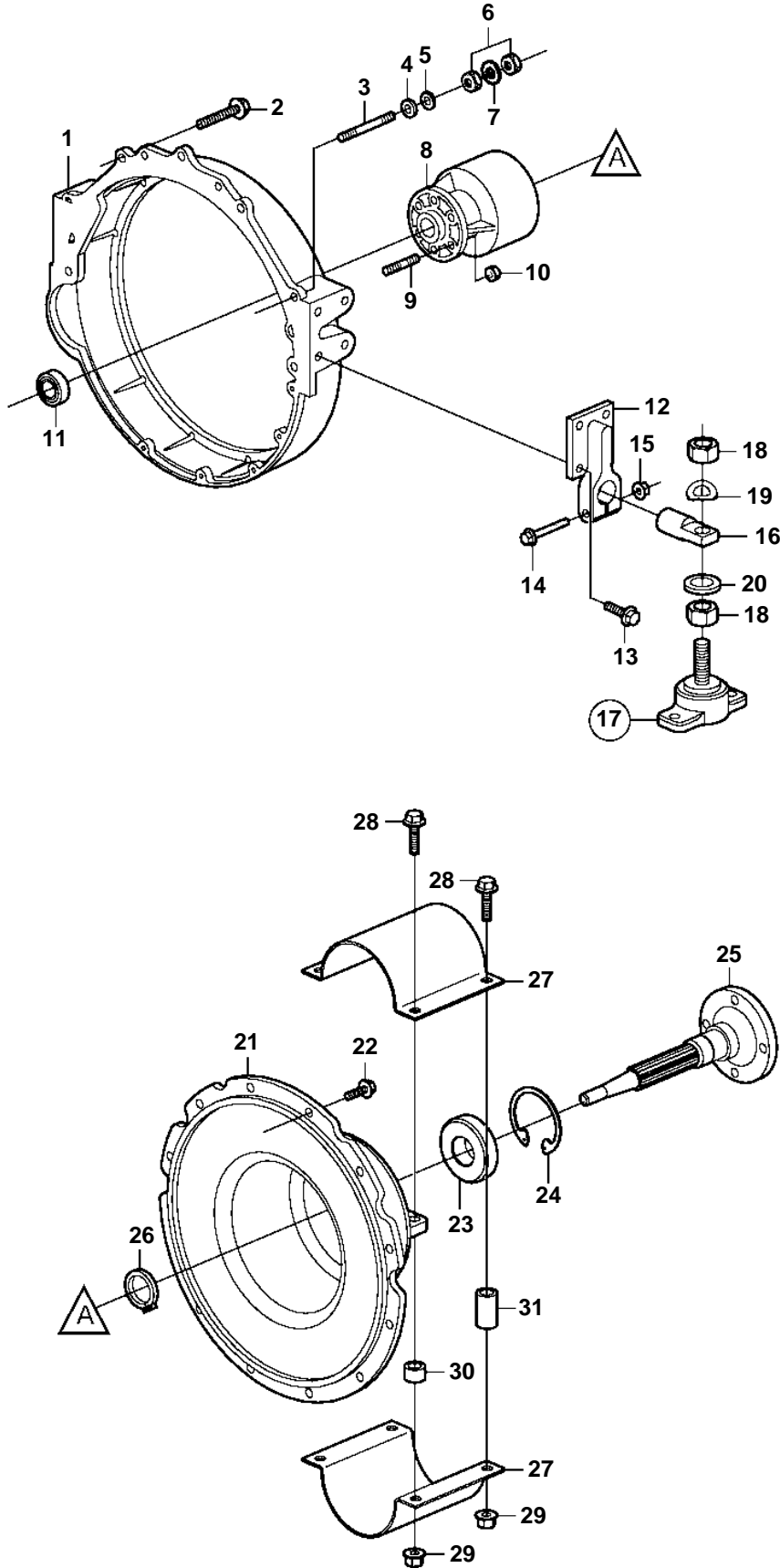


4.3GL-E, 4.3GL-EF



4.3GL-E, 4.3GL-EF

| REF | PART NO. | QTY | DESCRIPTION | NOTES |
|-----|----------|-----|------------------|--------|
| 1 | 3851722 | 1 | Flywheel housing | |
| 2 | 947790 | 4 | Flange screw | |
| 3 | 3862493 | 2 | Stud | |
| 4 | 980933 | 2 | Washer | |
| 5 | 3852046 | 2 | Lock washer | |
| 6 | 971074 | 6 | Nut | |
| 7 | 982679 | 4 | Lock washer | |
| 8 | 3858437 | 1 | Rubber coupling | |
| 9 | 3853274 | 6 | Stud | |
| 10 | 3853273 | 6 | Lock nut | |
| 11 | 3858846 | 1 | Bearing | |
| 12 | | 2 | Bracket | |
| 13 | 965187 | 8 | Screw | |
| 14 | 965222 | 2 | Screw | |
| 15 | 971098 | 2 | Flange lock nut | |
| 16 | | 2 | Pin | |
| 17 | 857251 | 2 | Rubber cushion | |
| 18 | 955860 | 4 | · Nut | |
| 19 | 941914 | 2 | Spring washer | |
| 20 | 955902 | 2 | Washer | |
| 21 | 3851727 | 1 | Bearing housing | |
| 22 | 946752 | 11 | Flange screw | |
| 23 | 181877 | 1 | Ball bearing | |
| 24 | 914540 | 1 | Lock ring | |
| 25 | 3851724 | 1 | Flange | |
| 26 | 914465 | 1 | Lock ring | |
| 27 | 3851729 | 2 | Cover | |
| 28 | 948039 | 4 | Flange screw | L=65mm |
| 29 | 977938 | 4 | Flange lock nut | |
| 30 | 983740 | 8 | Spacer | L=10mm |
| 31 | 983741 | 4 | Spacer | L=33mm |