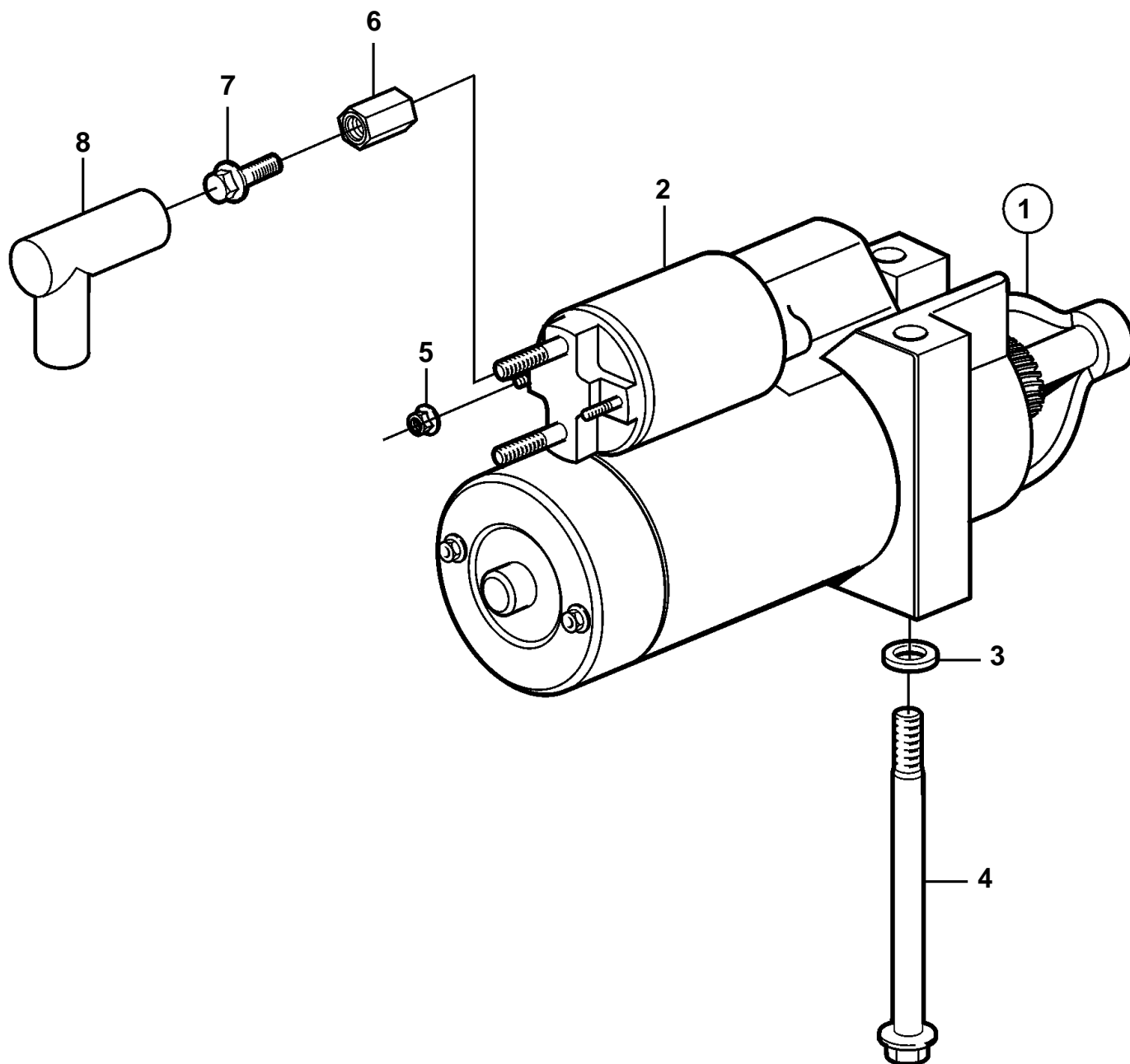


4.3GL-E, 4.3GL-EF



20931

4.3GL-E, 4.3GL-EF

REF	PART NO.	QTY	DESCRIPTION
1	3587625	1	Starter motor
2	3810300	1	· Solenoid kit
3	3854496	2	Washer
4	3857936	2	Screw
5	949874	2	Lock nut
6	855314	1	Nut
7	947107	1	Flange screw
8	855798	1	Protecting sleeve