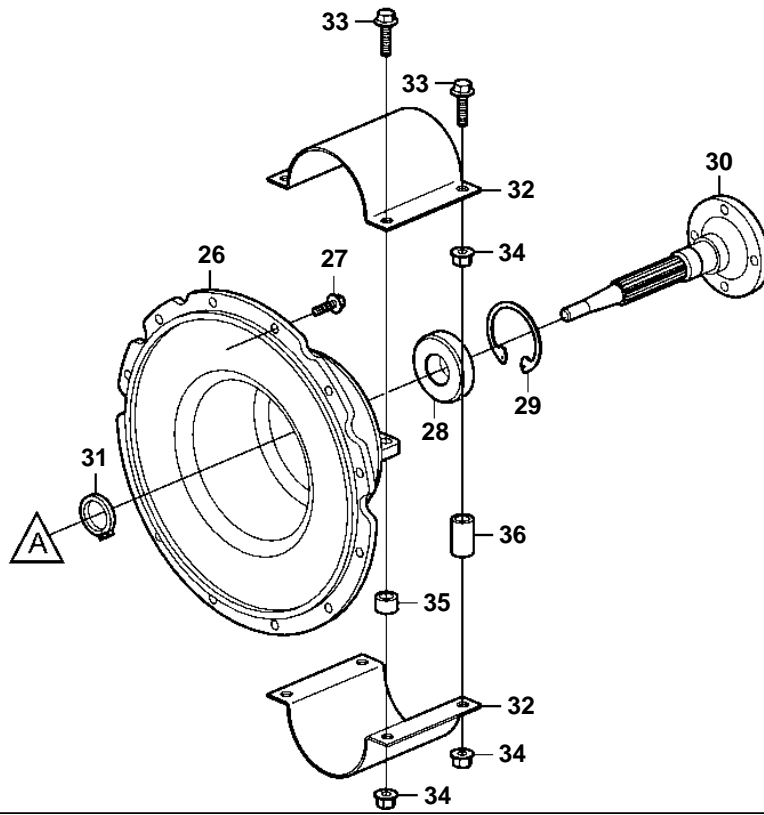
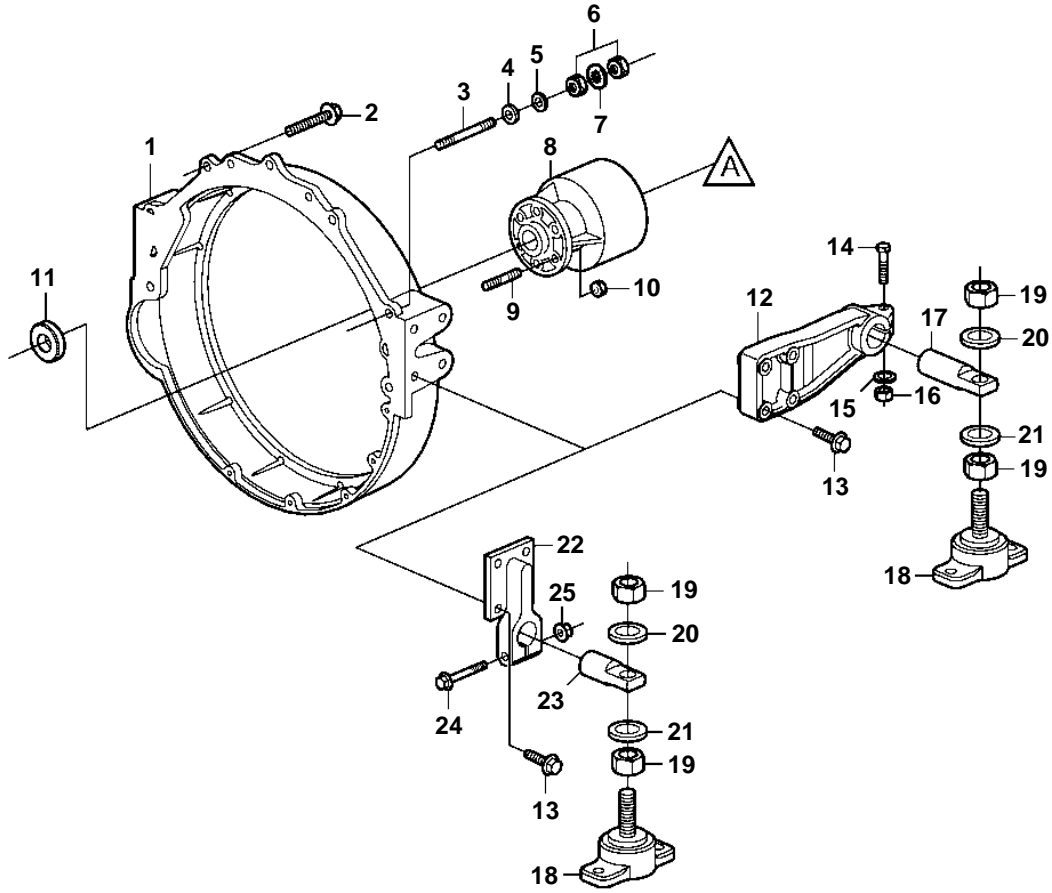


4.3GL-A, 4.3GL-B, 4.3GL-C, 4.3GL-D



20061

4.3GL-A, 4.3GL-B, 4.3GL-C, 4.3GL-D

REF	PART NO.	QTY	DESCRIPTION	NOTES
1	3851722	1	Flywheel housing	
2	947790	4	Flange screw	
3	3862493	2	Stud	
4	980933	2	Washer	
5	3852046	2	Lock washer	
6	971074	4	Nut	
7	982679	4	Lock washer	
8	3858437	1	Rubber coupling	
9	3853274	6	Stud	
10	3853273	6	Lock nut	
11	3858846	1	Bearing	
12	3851758	2	Bracket	EARLIER PROD
13	965187	8	Screw	
14	955551	2	Screw	
15	941909	2	Spring washer	
16	950355	2	Nut	
17	841247	2	Pin	
18	857251	2	Rubber cushion	
19	955860	4	Nut	
20	955902	2	Washer	
21	941914	2	Spring washer	
22		2	Bracket	LATER PROD
23		2	Pin	
24	965222	2	Screw	
25	971098	2	Flange lock nut	
26	3851727	1	Bearing housing	
27	946752	11	Flange screw	
28	181877	1	Ball bearing	
29	914540	1	Lock ring	
30	3851724	1	Flange	
31	914465	1	Lock ring	
32	3851729	2	Cover	
33	965192	4	Flange screw	L=40mm
	948039	4	Flange screw	L=65mm
34	971099	6	Flange lock nut	EARLIER PROD
	977938	4	Flange lock nut	LATER PROD
35	983740	8	Spacer	L=10mm
36	983741	4	Spacer	L=33mm