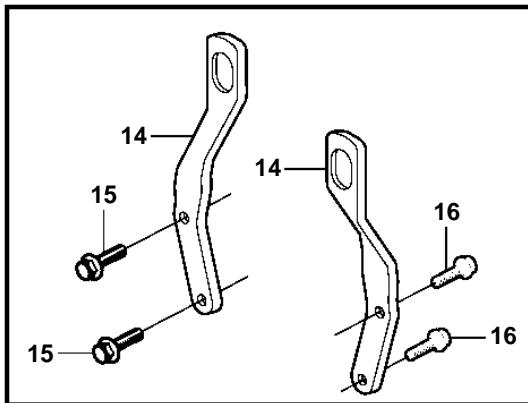
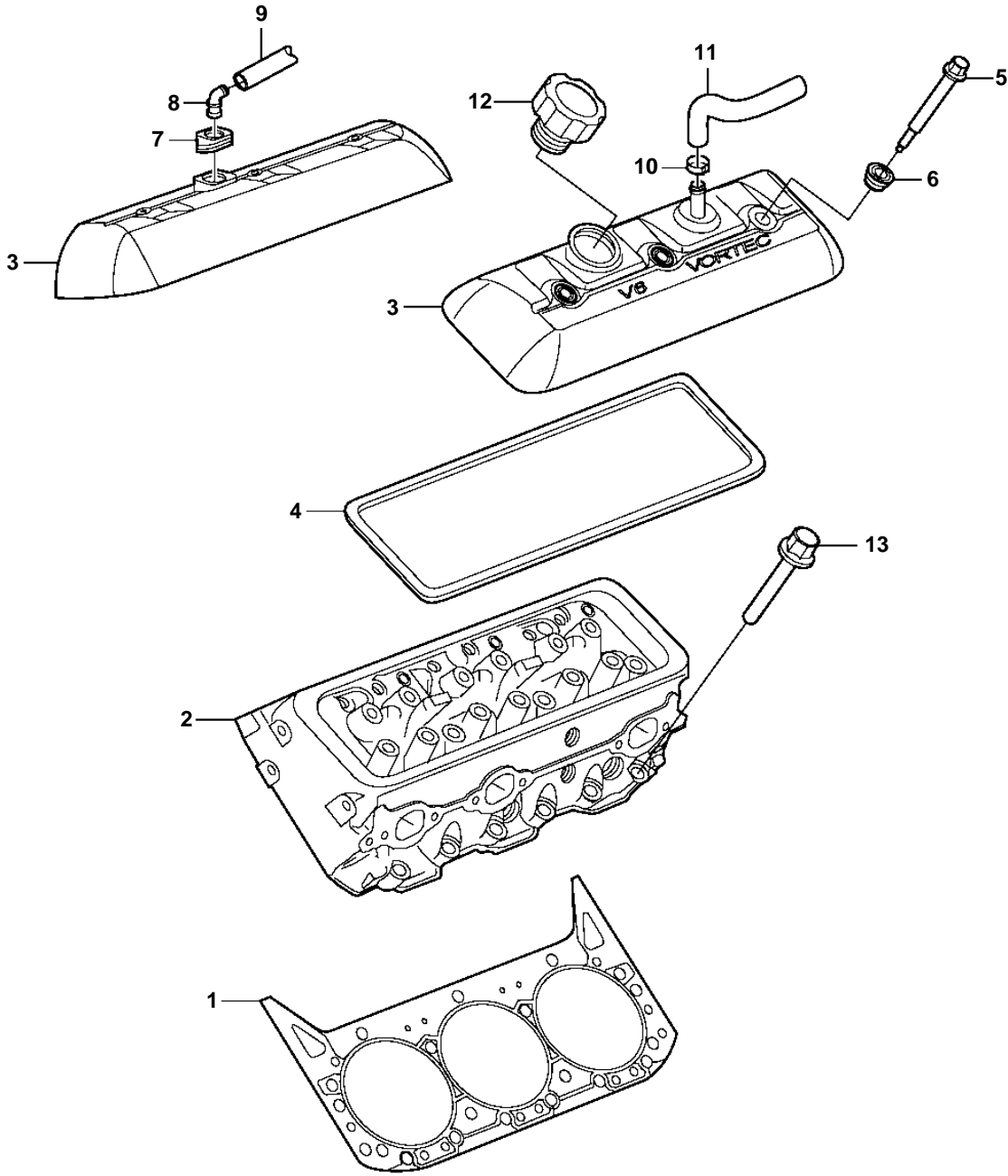


4.3GL-D



21809

4.3GL-D

REF	PART NO.	QTY	DESCRIPTION	NOTES
1	3854299	2	Gasket	
2	3861911	2	Cylinder head	
3	3842875	1	Valve cover	PORT
	3854948	1	Valve cover	STARBOARD
4	3854942	2	· Gasket	
5	3854946	6	· Screw	
6	3855020	6	· Grommet	
7	3854947	1	Grommet	
8	3852104	1	Elbow	
9	3862744	1	Hose	TO FLAME ARRESTOR
10	982663	1	Clamp	
11	3809328	1	Hose	
12	3854944	1	Oil filler cap	
13	3856122	10	Screw	L=3 51/64" (96mm)
	3856123	4	Screw	L=3 1/16" (78mm)
	3856124	10	Screw	L=1.62" (41mm)
14	3862594	2	Bracket	
15	3860163	2	Screw	
16	3853557	2	Screw	