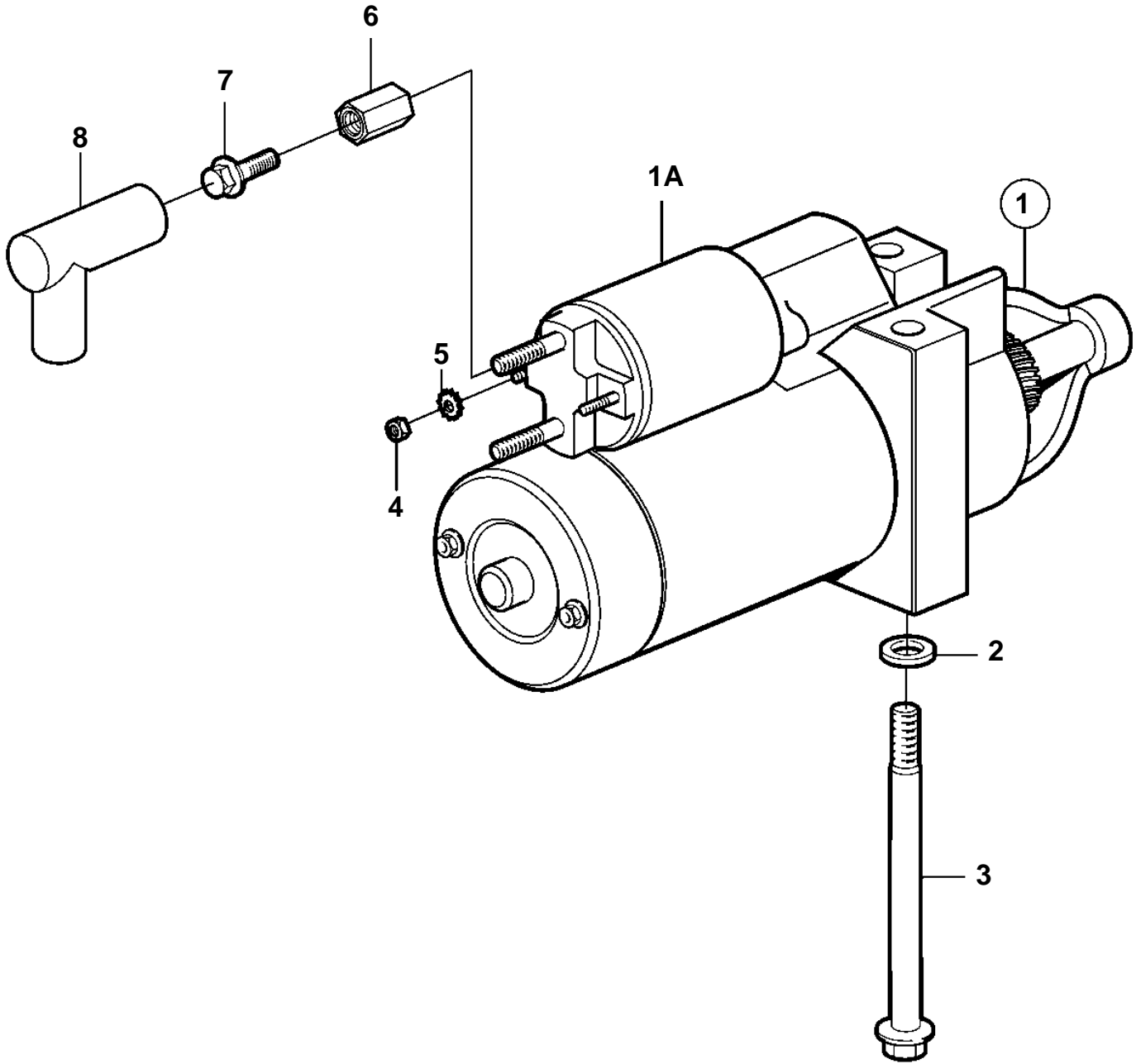


4.3GL-A, 4.3GL-B, 4.3GL-C



4.3GL-A, 4.3GL-B, 4.3GL-C

REF	PART NO.	QTY	DESCRIPTION
1	3860566	1	Starter motor
1A	3810300	1	· Solenoid kit
2	3854496	2	Washer
3	3857936	2	Screw
4	3852518	2	Nut
5	3852520	2	Washer
6	855314	1	Nut
7	947107	1	Flange screw
8	855798	1	Protecting sleeve