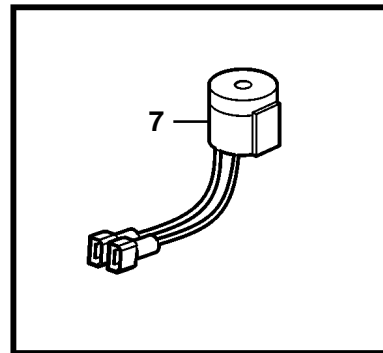
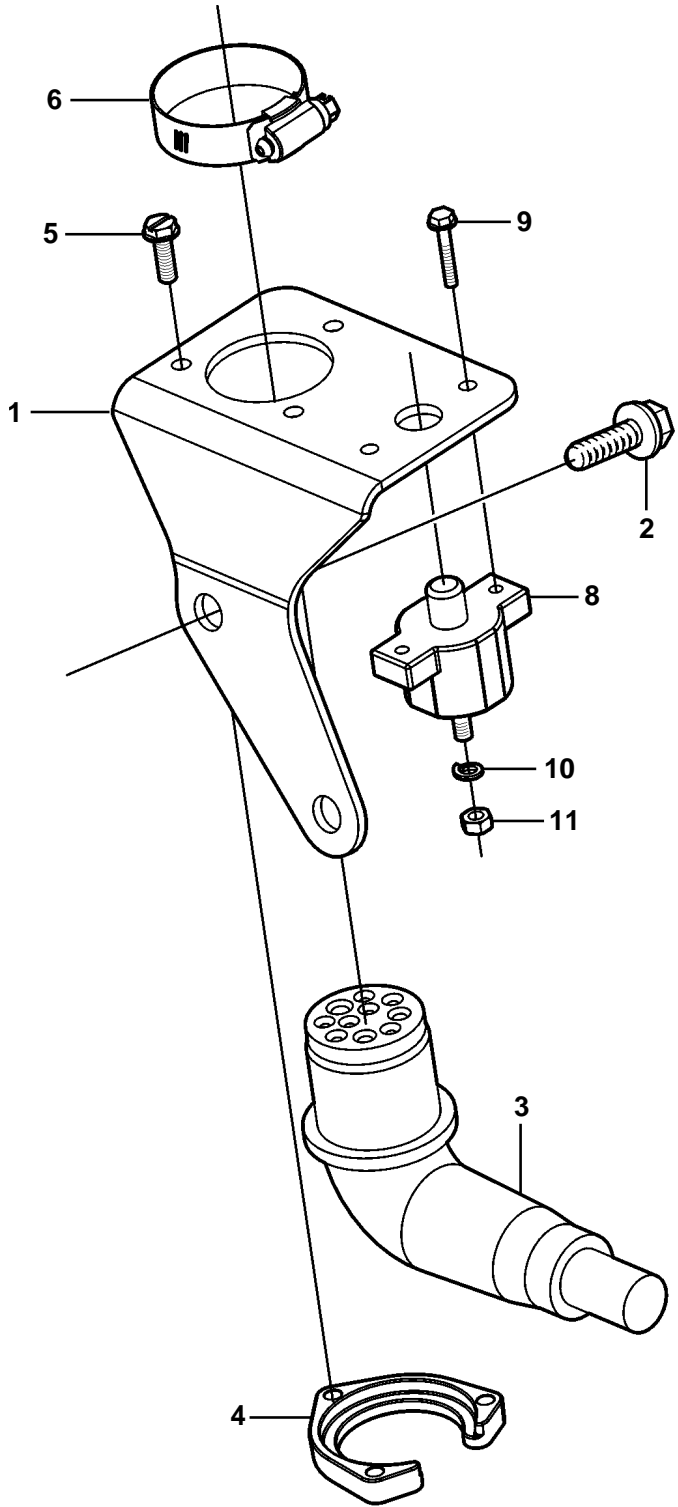


4.3GL-D



4.3GL-D

REF	PART NO.	QTY	DESCRIPTION	NOTES
1	3862583	1	Bracket	
2	3853419	2	Screw	
3	3863292	1	Cable harness	
4	3852825	1	Retainer	
5	3852208	3	Screw	
6	3863440	1	Clamp	
7	3863454	1	Alarm	
8	3854164	1	Breaker	50A
9	3853620	2	Screw	
10	3852001	2	Lock washer	
11	3852064	2	Nut	