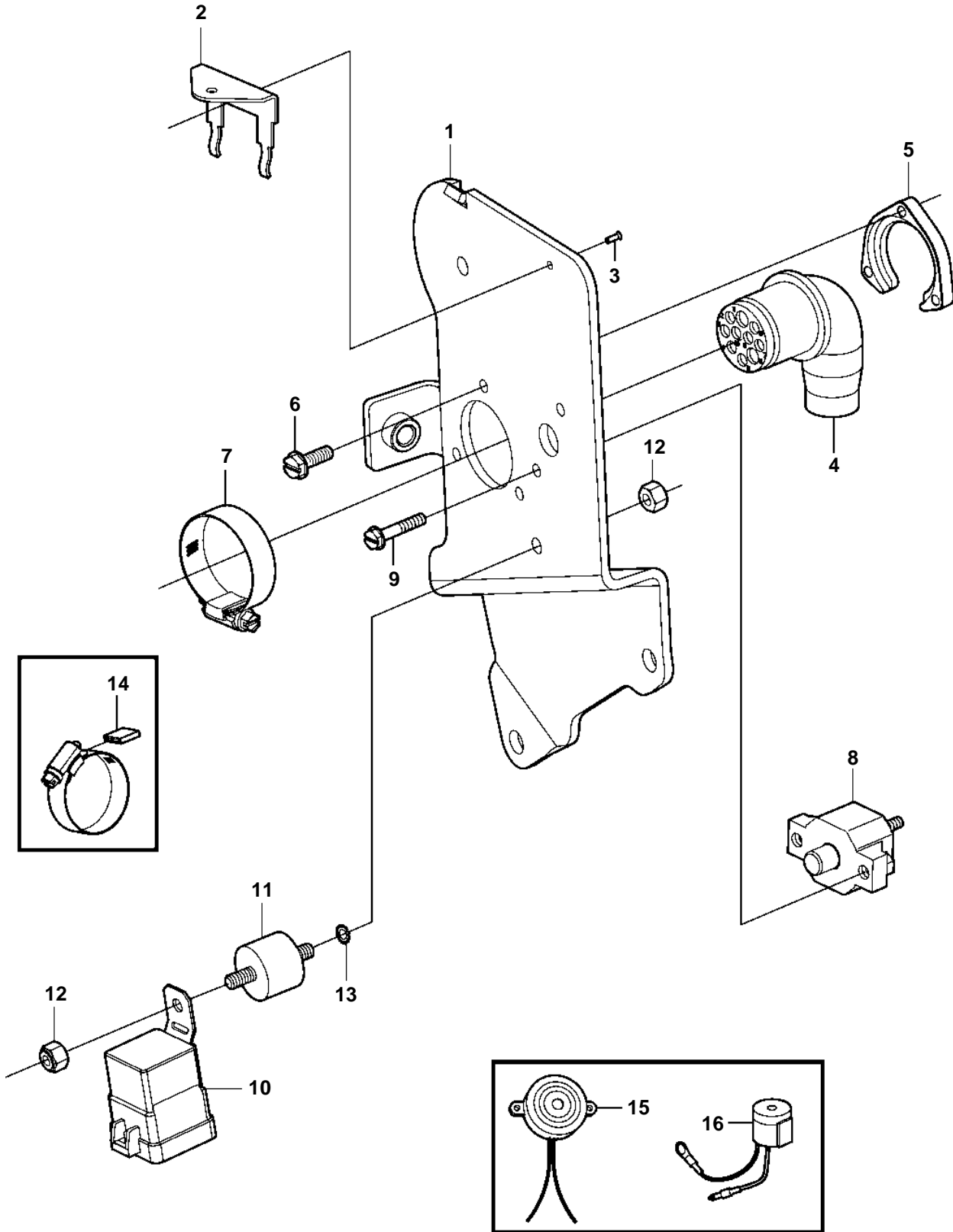


3.0GLM-A, 3.0GLP-A, 3.0GLM-B, 3.0GLP-B



**3.0GLM-A, 3.0GLP-A, 3.0GLM-B, 3.0GLP-B**

REF	PART NO.	QTY	DESCRIPTION	NOTES
1	3860453	1	Bracket	
2	3860486	1	Bracket	
3		1	Rivet	
4	3862219	1	Cable harness	
5	3852825	1	Retainer	
6	3852208	3	Screw	
7	3853786	1	Clamp	
8	3854164	1	Breaker, trim	50A
9	3853620	2	Screw	
10	3854138	1	Relay	
11	3850234	1	Isolator	
12	3852118	2	Nut	
13	3852182	1	Lock washer	
14	3858532	1	Cover	W=0.465" (11.8mm)
15	3857457	1	Horn unit	Mounted at the helm.
16	3863152	1	Alarm	REPL BY 3859061. Mounted at the helm.