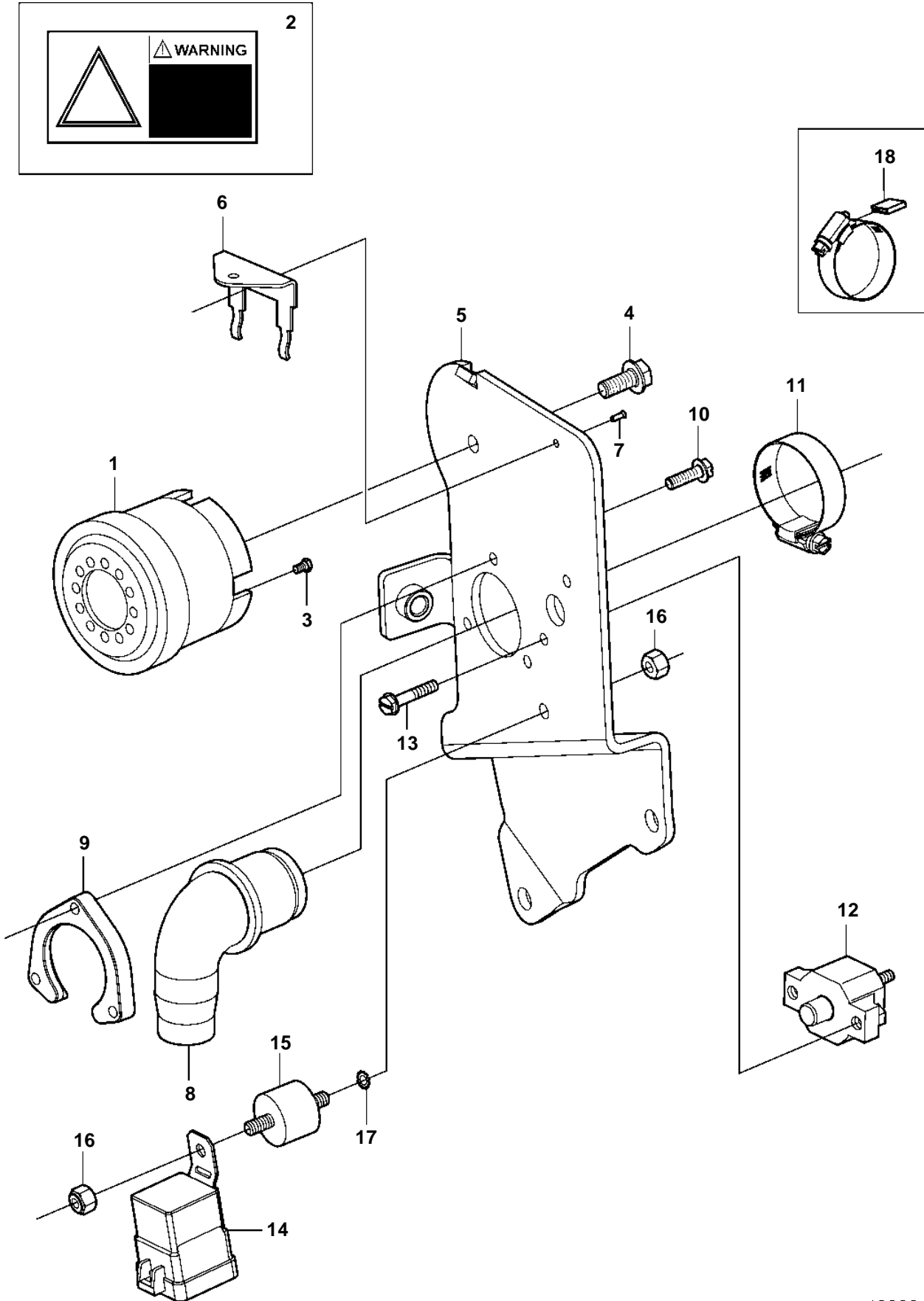


3.0GSM-A, 3.0GSP-A, 3.0GSM-B, 3.0GSP-B, 3.0GSM-C, 3.0GSP-C



3.0GSM-A, 3.0GSP-A, 3.0GSM-B, 3.0GSP-B, 3.0GSM-C, 3.0GSP-C

REF	PART NO.	QTY	DESCRIPTION	NOTES
1	3860264	1	Alarm	
2	3861504	1	Decal	WARNING!
3	3860531	2	Screw	
4	967949	1	Screw	
5	3860453	1	Bracket	
6	3860486	1	Bracket	
7		1	Rivet	
8	3860028	1	Cable harness	
9	3852825	1	Retainer	
10	3852208	3	Screw	
11	3853786	1	Clamp	
12	3854164	1	Breaker, trim	50A
13	3853620	2	Screw	
14	3854138	1	Relay	
15	3850234	1	Isolator	
16	3852118	2	Nut	
17	3852182	1	Lock washer	
18	3858532	1	Cover	W=0.465" (11.8mm)