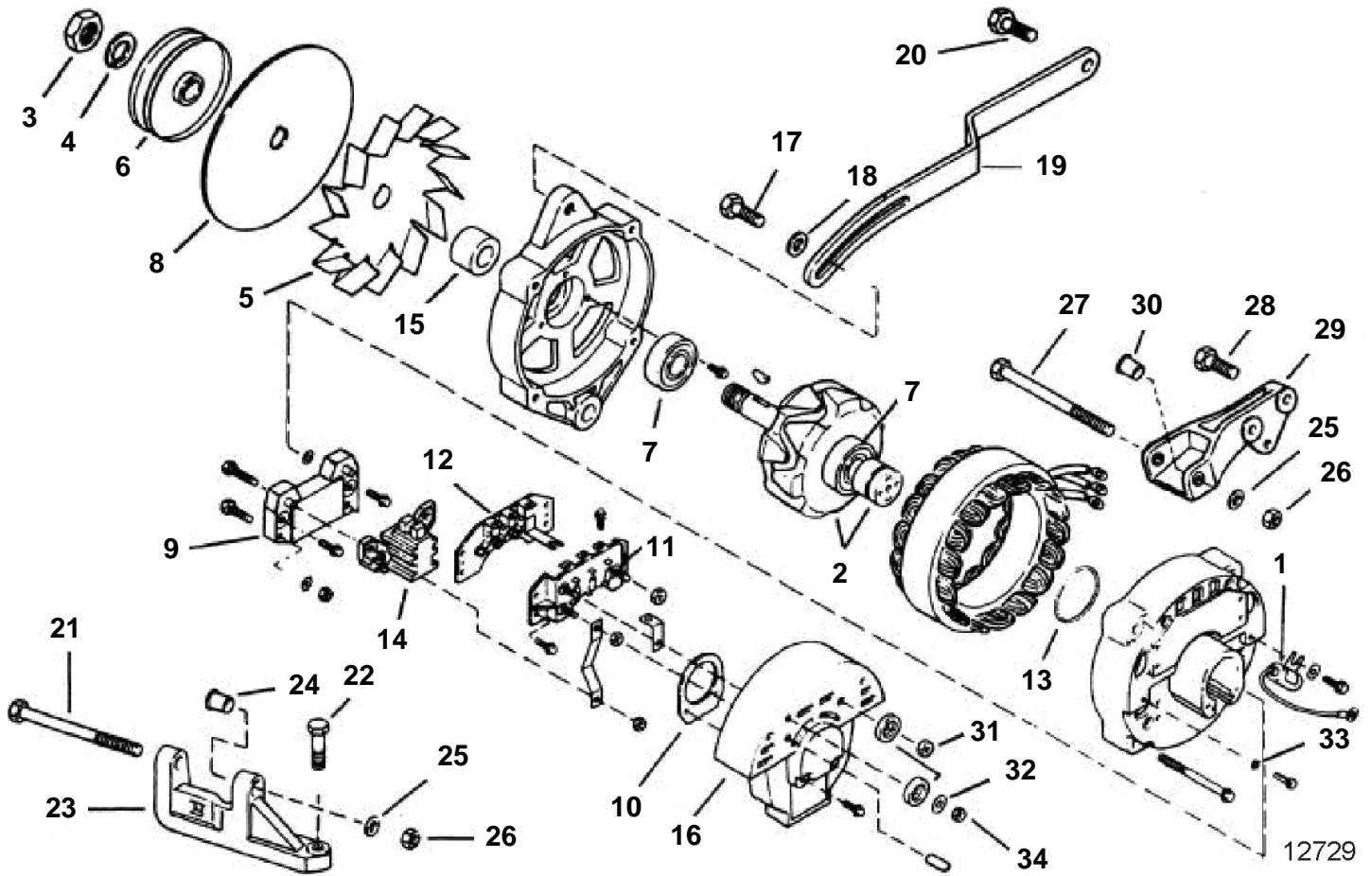


3.0GSMNCA, 3.0GSMNCS, 3.0GSPNCA, 3.0GSPNCS



3.0GSMNCA, 3.0GSMNCS, 3.0GSPNCA, 3.0GSPNCS

REF	PART NO.	QTY	DESCRIPTION	NOTES
1	3853853	1	Alternator	Not shown
	3852636	1	· Capacitor	
2		1	· Rotor	
3	3852630	1	· Nut, Pulley	
4	3852625	1	· Lock washer, Pulley	
5	3852645	1	· Fan	
6	3852644	1	· Pulley	
7	3852643	2	· Bearing, Front & rear	
8	3853881	1	· Cover plate	
9	3853833	1	· Regulator, Voltage	
10	3852642	1	· Bearing carrier, Rear bearing	
11		1	· Diode	
12		1	· Diode bridge, Bridge	
13	3852637	1	· Gasket	
14	3853835	1	· Brush retainer	
15	3852639	1	· Spacer, Fan	
16	3853834	1	· Cover	
17	3853396	1	Screw, Alternator brace to alternator	
18	3852054	1	Washer, Brace to alternator	
19	3853410	1	Brace, Alternator to engine	Manual steering
	3853411	1	Brace, Alternator to thermostat hsg	Power steering
20	3852060	1	Screw, Alternator brace to water pump	Manual steering
	3853399	1	Screw, Alternator brace to therm. hsg	Power steering
21	3853388	1	Screw, Alternator to bracket	Manual steering
22	3853326	2	Screw, Alternator bracket mounting	Manual steering
23	3854068	1	Bracket, Alternator to engine block, port	Manual steering
	3854089	1	Bracket	Power steering
24	3852969	1	· Bushing, Bracket alternator, manual steering	
25	3852058	1	Washer, Alternator to bracket	Rear
26	3852051	1	Nut, Alternator to bracket	
27	3853367	1	Screw, Alternator to bracket	Power steering
28	3853393	2	Screw, Alternator bracket to manifold	Power steering
29	3854089	1	Bracket, Alternator mounting	Power steering
30	3852740	1	Bushing, Alternator bracket	
31	3852099	1	Nut, Alternator output terminal	
32	3852001	1	Lock washer, Alternator, AC tap	
33	3852520	1	Washer, Ground terminal, alternator	
34	3852185	1	Nut, Alternator AC tap	